

RIV-TI® blind rivet nuts



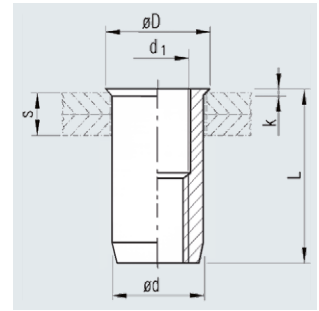
Round body

Small countersunk head, open end

Material



Aluminium



Thread	Grip range s [mm]	Hole \varnothing +0.1 [mm]	Shank \varnothing d +0/-0.15 [mm]	Head \varnothing D \pm 0.3 [mm]	Head height k \pm 0.1 [mm]	Shank length L \pm 0.3 [mm]	Article No.
M 3	0.5 - 1.5	5.0	5.0	6.0	0.5	9.0	335 442 003
M 4	0.8 - 2.5	6.0	6.0	7.0	0.5	11.0	335 443 003
	2.5 - 3.5	6.0	6.0	7.0	0.5	12.0	335 444 003
M 5	0.8 - 2.5	7.0	7.0	8.0	0.5	12.0	335 453 003
	2.5 - 3.5	7.0	7.0	8.0	0.5	13.0	335 454 003
M 6	1.0 - 2.5	9.0	9.0	10.0	0.5	14.0	335 473 003
	2.5 - 4.0	9.0	9.0	10.0	0.5	15.5	335 474 003
M 8	1.0 - 2.5	11.0	11.0	12.0	0.7	15.5	335 483 003
	2.5 - 4.0	11.0	11.0	12.0	0.7	17.0	335 484 003
M 10	1.0 - 2.5	13.0	13.0	14.0	0.7	16.0	335 485 003
	2.5 - 4.0	13.0	13.0	14.0	0.7	17.5	335 486 003

Other designs available on request.



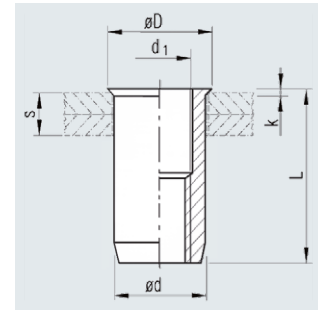
RIV-TI® blind rivet nuts

Round body

Small countersunk head, open end

Material

Steel, galvanised, passivated



Thread	Grip range s [mm]	Hole ø +0.1 [mm]	Shank ø d +0/-0.15 [mm]	Head ø D ±0.3 [mm]	Head height k ±0.2 [mm]	Shank length L ±0.3 [mm]	Article No.
M 4	0.5 - 2.0	6.0	6.0	7.0	0.5	10.0	335 263 903
M 5	0.5 - 2.5	7.0	7.0	8.0	0.5	12.0	335 283 903
M 6	0.8 - 3.0	9.0	9.0	10.0	0.5	15.0	335 293 903
M 8	0.9 - 3.0	11.0	11.0	12.0	0.5	16.0	335 303 903
M 10	1.0 - 4.0	13.0	13.0	13.9	0.7	20.5	335 313 903

Other designs available on request.

RIV-TI® blind rivet nuts

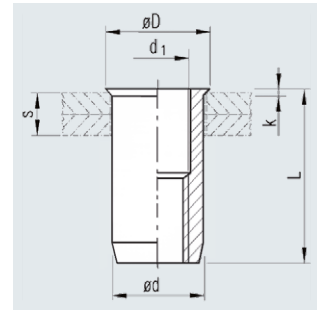


Round body

Small countersunk head, open end

Material

A2 stainless steel 1.4567



Thread	Grip range s [mm]	Hole \varnothing +0.1 [mm]	Shank \varnothing d max. [mm]	Head \varnothing D ± 0.3 [mm]	Head height k 0.3/-0 [mm]	Shank length L 0.5/-0 [mm]	Article No.
M 3	0.5 - 2.0	5.0	5.0	6.0	0.5	9.0	334 259 003
M 4	0.5 - 2.5	6.0	6.0	7.0	0.5	11.0	334 260 003
M 5	0.5 - 3.0	7.0	7.0	8.0	0.5	12.0	334 283 003
M 6	0.5 - 3.0	9.0	9.0	10.0	0.5	14.0	334 293 003
M 8	0.5 - 3.0	11.0	11.0	12.0	0.5	16.0	334 303 003
M 10	1.0 - 3.5	13.0	13.0	14.2	0.8	19.0	334 314 003

Other designs available on request.