



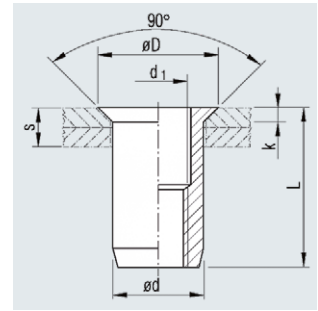
# RIV-TI® blind rivet nuts

## Round body

Countersunk head, open end

### Material

A2 stainless steel 1.4567



Thread	Grip range s [mm]	Hole $\varnothing$ +0.1 [mm]	Shank $\varnothing$ d $\pm$ 0.1 [mm]	Head $\varnothing$ D 0/-0.5 [mm]	Head height k 0.3/-0 [mm]	Shank length L 0/-0.5 [mm]	Article No.
M 4	2.0 - 4.0	6.0	5.9	9.0	1.5	12.0	334 236 003
M 5	2.0 - 4.5	7.0	6.9	10.0	1.5	13.5	334 276 003
M 6	2.0 - 4.5	9.0	8.9	12.0	1.5	16.0	334 726 003
M 8	2.0 - 4.5	11.0	10.9	14.0	1.5	18.0	334 865 003

Other designs available on request.