



# Tubtara® blind rivet nuts

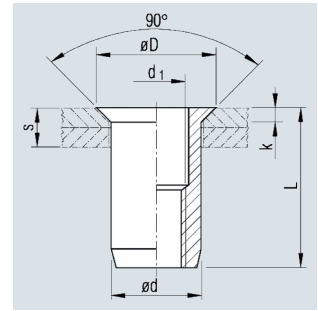
## Countersunk head 90°

Round shank, open end

### Material



Aluminium



| Thread    | Grip range  | Hole $\varnothing$ | Shank $\varnothing$  | Head $\varnothing$ | Head height   | Shank length                  | Description | Article No.              |
|-----------|-------------|--------------------|----------------------|--------------------|---------------|-------------------------------|-------------|--------------------------|
| <b>d1</b> | <b>s</b>    | <b>+0.1</b>        | <b>d -0.02 -0.15</b> | <b>D 0 -0.5</b>    | <b>k +0.3</b> | <b>L <math>\pm</math>0.35</b> |             |                          |
| <b>6H</b> | <b>[mm]</b> | <b>[mm]</b>        | <b>[mm]</b>          | <b>[mm]</b>        | <b>[mm]</b>   | <b>[mm]</b>                   |             |                          |
| M 3       | 1.7 - 3.5   | 5.0                | 5.0                  | 8.0                | 1.5           | 11.25                         | UF035       | 336 361 000 <sup>1</sup> |
| M 4       | 1.7 - 3.5   | 6.0                | 6.0                  | 9.0                | 1.5           | 11.5                          | UF035       | 336 461 000              |
|           | 3.5 - 5.0   | 6.0                | 6.0                  | 9.0                | 1.5           | 13.0                          | UF050       | 336 465 000              |
| M 5       | 1.7 - 4.0   | 7.0                | 7.0                  | 10.0               | 1.5           | 13.0                          | UF040       | 336 561 000              |
|           | 4.0 - 6.5   | 7.0                | 7.0                  | 10.0               | 1.5           | 16.0                          | UF065       | 336 563 000              |
| M 6       | 1.7 - 4.5   | 9.0                | 9.0                  | 12.0               | 1.5           | 17.0                          | UF045       | 336 641 000              |
|           | 4.5 - 6.5   | 9.0                | 9.0                  | 12.0               | 1.5           | 19.0                          | UF065       | 336 642 000              |
| M 8       | 1.7 - 4.5   | 11.0               | 11.0                 | 14.0               | 1.5           | 19.0                          | UF045       | 336 781 000              |
|           | 4.5 - 6.5   | 11.0               | 11.0                 | 14.0               | 1.5           | 21.0                          | UF065       | 336 782 000              |
| M 10      | 1.7 - 4.5   | 12.5               | 12.4 <sup>3</sup>    | 15.4               | 1.5           | 21.0                          | UF045       | 336 911 000              |
|           | 4.5 - 6.5   | 12.5               | 12.4 <sup>3</sup>    | 15.4               | 1.5           | 23.0                          | UF065       | 336 912 000 <sup>2</sup> |

<sup>1</sup> Shank end without chamfer

<sup>2</sup> Not a stock item - contact us for minimum quantities

<sup>3</sup> Shank  $\varnothing$  tolerance:  $\pm$ 0.08



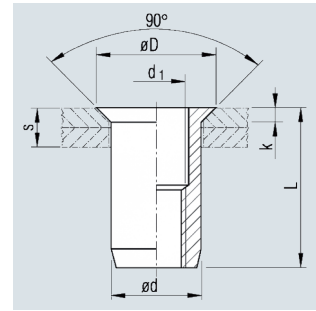
# Tubtara® blind rivet nuts

## Countersunk head 90°

Round shank, open end

### Material

Steel, Zinktop 480h



| Thread<br>d1<br>6H | Grip range<br>s<br>[mm] | Hole $\varnothing$<br>+0.1<br>[mm] | Shank $\varnothing$<br>d -0.02 -0.15<br>[mm] | Head $\varnothing$<br>D 0 -0.5<br>[mm] | Head height<br>k $\pm 0.3$<br>[mm] | Shank length<br>L +0.35<br>[mm] | Description | Article No.              |
|--------------------|-------------------------|------------------------------------|--|--|------------------------------------|---------------------------------|-------------|--------------------------|
| M 3                | 1.7 - 3.5               | 5.0                                | 5.0  | 8.0                                    | 1.5                                | 11.25                           | UF035       | 336 191 950 <sup>1</sup> |
| M 4                | 1.7 - 3.5               | 6.0                                | 6.0  | 9.0                                    | 1.5                                | 11.5                            | UF035       | 336 231 950              |
|                    | 3.5 - 5.0               | 6.0                                | 6.0  | 9.0                                    | 1.5                                | 13.0                            | UF050       | 336 235 950              |
| M 5                | 1.7 - 4.0               | 7.0                                | 7.0  | 10.0                                   | 1.5                                | 13.0                            | UF040       | 336 271 950              |
|                    | 4.0 - 6.5               | 7.0                                | 7.0  | 10.0                                   | 1.5                                | 16.0                            | UF065       | 336 273 950              |
| M 6                | 1.7 - 4.5               | 9.0                                | 9.0  | 12.0                                   | 1.5                                | 17.0                            | UF045       | 336 721 950              |
|                    | 4.5 - 6.5               | 9.0                                | 9.0  | 12.0                                   | 1.5                                | 19.0                            | UF065       | 336 722 950              |
| M 8                | 1.7 - 4.5               | 11.0                               | 11.0   | 14.0                                   | 1.5                                | 19.0                            | UF045       | 336 867 950              |
|                    | 4.5 - 6.5               | 11.0                               | 11.0   | 14.0                                   | 1.5                                | 21.0                            | UF065       | 336 868 950              |
| M 10               | 1.7 - 4.5               | 12.5                               | 12.4 <sup>3</sup>                            | 15.4                                   | 1.5                                | 21.0                            | UF045       | 336 997 950              |
|                    | 4.5 - 6.5               | 12.5                               | 12.4 <sup>3</sup>                            | 15.4                                   | 1.5                                | 23.0                            | UF065       | 336 998 950              |
| M 12               | 2.0 - 4.5               | 16.0                               | 16.0   | 19.0                                   | 1.8                                | 26.0                            | UF045       | 336 021 950              |
|                    | 4.5 - 7.5               | 16.0                               | 16.0   | 19.0                                   | 1.8                                | 29.0                            | UF075       | 336 022 950              |

<sup>1</sup> Shank end without chamfer

<sup>3</sup> Shank  $\varnothing$  tolerance:  $\pm 0.08$



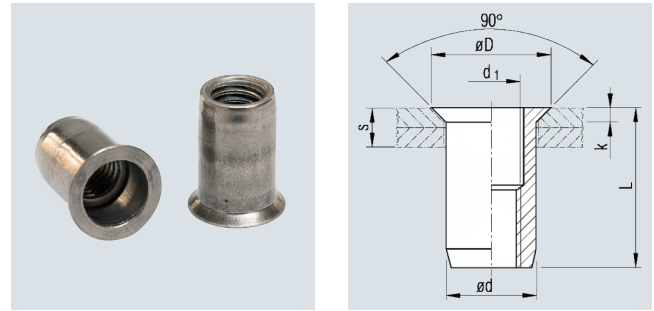
# Tubtara® blind rivet nuts

## Countersunk head 90°

Round shank, open end

### Material

Stainless steel AISI 304 Cu 1.4567



| Thread<br>d1<br>6H | Grip range<br>s<br>[mm] | Hole $\varnothing$<br>+0.1<br>[mm] | Shank $\varnothing$<br>d -0.02 -0.15<br>[mm] | Head $\varnothing$<br>D 0 -0.5<br>[mm] | Head height<br>k +0.3<br>[mm] | Shank length<br>L $\pm 0.35$<br>[mm] | Description | Article No. |
|--------------------|-------------------------|------------------------------------|--|--|-------------------------------|--------------------------------------|-------------|-------------|
| M 4                | 1.2 - 3.0               | 6.0                                | 6.0  | 8.0                                    | 1.0                           | 12.0                                 | UF030       | 334 236 000 |
| M 5                | 1.2 - 3.5               | 7.0                                | 7.0  | 9.0                                    | 1.0                           | 12.0                                 | UF035       | 334 276 000 |
| M 6                | 1.7 - 4.5               | 9.0                                | 9.0  | 12.0                                   | 1.5                           | 17.0                                 | UF045       | 334 726 000 |
|                    | 4.5 - 6.5               | 9.0                                | 9.0  | 12.0                                   | 1.5                           | 19.0                                 | UF065       | 334 728 000 |
| M 8                | 1.7 - 4.5               | 11.0                               | 11.0   | 14.0                                   | 1.5                           | 17.5                                 | UF045       | 334 865 000 |
|                    | 4.5 - 6.5               | 11.0                               | 11.0   | 14.0                                   | 1.5                           | 19.5                                 | UF065       | 334 864 000 |
| M10                | 1.7 - 4.5               | 12.1                               | 12.0   | 15.0                                   | 1.5                           | 20.0                                 | UF045       | 334 994 000 |
|                    | 1.7 - 4.5               | 13.0                               | 13.0   | 16.0                                   | 1.5                           | 22.5 <sup>4</sup>                    | SFO 45      | 334 995 000 |
| M12                | 2.0 - 5.5               | 16.0                               | 16.0   | 19.0                                   | 1.8                           | 27.0                                 | UF055       | 334 998 000 |

<sup>4</sup> Shank length (L) tolerance:  $\pm 0.5$



# Tubtara® blind rivet nuts

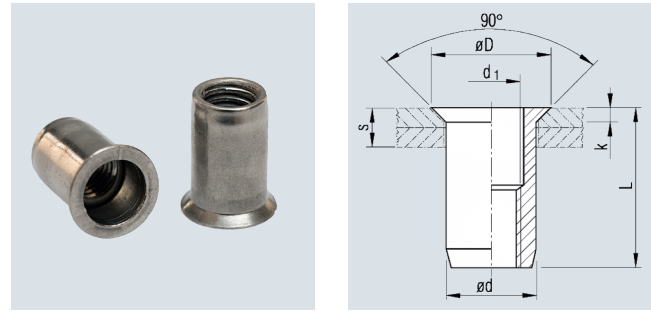
## Countersunk head 90°

Round shank, open end

### Material

Stainless steel AISI 316 Cu 1.4578

**Exceptionally high corrosion resistance**



| Thread | Grip range | Hole ø | Shank ø       | Head ø   | Head height | Shank length      | Description | Article No.              |
|--------|------------|--------|---------------|----------|-------------|-------------------|-------------|--------------------------|
| d1     | s          | +0.1   | d -0.02 -0.15 | D 0 -0.5 | k +0.3      | L ±0.35           |             |                          |
| 6H     | [mm]       | [mm]   | [mm]          | [mm]     | [mm]        | [mm]              |             |                          |
| M 4    | 1.2 - 3.0  | 6.0    | 6.0           | 8.0      | 1.0         | 12.0              | UF030       | 334 212 000 <sup>2</sup> |
| M 5    | 1.2 - 3.5  | 7.0    | 7.0           | 9.0      | 1.0         | 12.0              | UF035       | 334 216 000              |
| M 6    | 1.7 - 4.5  | 9.0    | 9.0           | 12.0     | 1.5         | 17.0              | UF045       | 334 736 000              |
| M 8    | 1.7 - 4.5  | 11.0   | 11.0          | 14.0     | 1.5         | 17.5              | UF045       | 334 875 000              |
| M 10   | 1.7 - 4.5  | 13.0   | 13.0          | 16.0     | 1.5         | 22.5 <sup>4</sup> | SF045       | 334 975 000 <sup>2</sup> |

<sup>2</sup> Not a stock item - contact us for minimum quantities

<sup>4</sup> Shank length (L) tolerance: ±0.5