



TIOS® EL18

Battery-operated rivet installation tool for installing lockbolts and high-strength blind rivets

Benefits at a glance

- Intelligent battery management
- Powerful 18V lithium-ion rechargeable battery
- Brushless DC motor (BLDC)
- Low running and tooling costs compared to pneumatic and hydraulic tools
- Rapid change system for pulling unit

Technical specifications

Stroke: 25.0 mm
 Insertion force: 18.0 kN
 Motor: 18.0 Volt brushless DC motor
 Weight: 2.3 kg with battery (2.5 Ah)

Scope of delivery

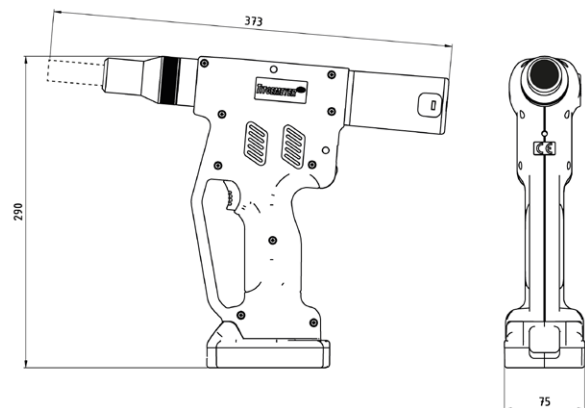
TIOS EL18 battery-operated rivet installation tool
 TIOS LIO2830 18.0 V single charger
 TIOS LIO1825 18.0 V / 2.5 Ah insertable battery
 Storage case
 Operating instructions
Article No. 352 300 001

Note

Pulling heads sold separately
 See table for product selection

Optional extras

TIOS-CONTROL process control (load-displacement monitoring)
 Radio module (WIFI)
 Barcode reader (for program settings and parts recognition)





Working range - lockbolts

Fastener	Standard lockbolt ø [mm]				DeltaBolt® lockbolt ø [mm]				Multigrip lockbolt ø [mm]				Hucktainer® Plus ø [mm]
	4.8	6.4	8.0	9.6	4.8	6.4	8.0	9.6	4.8	6.4	7.8	9.6	9.5
Aluminium	•	•								•	•		
Steel	•	•			•	•			•	•			•
Stainless steel	•	•							•	•			

Working range - high-strength blind rivets

Fastener	TIBULB blind rivet ø [mm]			M-LOCK blind rivet ø [mm]			MAGNA-BULB blind rivet ø [mm]			BOM blind rivet ø [mm]			
	4.8	6.4	7.8	4.8	6.4	9.5	4.8	6.4	7.8	4.8	6.4	7.8	9.5
Aluminium	•	•		•	•								
Steel	•	•		•	•		•	•					
Stainless steel	•	•		•	•								

Pulling heads for TIOS® EL18

Fastener	Nominal bolt ø [mm]	Pulling head type	Article No.
Standard lockbolts	4.8	99-3003	371 680 000
	6.4	99-3006	371 705 000
	8.0		
	9.6		
DeltaBolt® lockbolts	4.8	99-3003	371 680 000
	6.4	99-3006	371 705 000
	8.0		
	9.6		
Multigrip lockbolts	4.8	99-1456	372 985 000
	6.4	99-1477UK	371 980 000
	7.8		
	9.6		
Hucktainer® Plus TIBULB blind rivets	9.5	99-3465	371 730 000
	4.8	99-3303	371 805 000
	6.4	99-3305	371 815 000
	7.8		
M-LOCK blind rivets	4.8	99-3303	371 805 000
	6.4	99-3305	371 815 000
	9.5		
MAGNA-BULB blind rivets	4.8	99-3303	371 805 000
	6.4	99-3305	371 815 000
	7.8		
BOM blind rivets	4.8	99-994	372 780 000
	6.4		
	7.8		
	9.5		

For technical specifications on pulling heads, see table on pages 24/25.

Batteries and chargers

Description	Article No.
TIOS LI01825 insertable battery, 2.5 Ah	352 200 905
TIOS LI01850 insertable battery, 5.0 Ah	352 200 904
TIOS LI02830 single charger	352 200 910
TIOS LI02830-4 multi-charger, 4 charging points	352 200 911
TIOS LI02830-8 multi-charger, 8 charging points	352 200 912