



## TIOS® EN18

Battery-driven blind rivet nut tool for installing M3 - M10 blind rivet nuts and M4 - M6 blind rivet studs

### Benefits at a glance

- 90 pre-programmed setting forces to choose from
- OLED display with symbols and plain text
- Rapid-change nose pieces: M3 - M10
- Intelligent lithium-ion battery technology
- Long battery life per charge: up to 2300 installations per battery charge
- Brushless 18 V DC motor (BLOC)

### Technical specifications

Insertion force:	18.0 kN
Motor:	18 V brushless DC motor
Weight:	2.5 kg with battery (2.5 Ah)

### Scope of delivery

TIOS EN18 battery-operated blind rivet nut tool  
 Operating instructions  
 Storage case  
**Article No. 352 400 000<sup>1</sup>**

TIOS EN18 battery-operated blind rivet nut tool  
 TIOS LIO1825 18 V / 2.5 Ah insertable battery  
 TIOS LIO2830 18 V single charger  
 Operating instructions  
 Storage case  
**Article No. 352 400 001<sup>1</sup>**

TIOS EN18 Control battery-operated rivet installation tool  
 Scope of delivery as Article No. **352 400 000<sup>1</sup>**  
 but with load-displacement monitoring  
**Article No. 352 400 010<sup>1</sup>**

TIOS EN18 Control battery-operated rivet installation tool  
 (complete)  
 Scope of delivery as Article No. **352 400 000<sup>1</sup>**  
 but with load-displacement monitoring  
**Article No. 352 400 011<sup>1</sup>**

### Optional

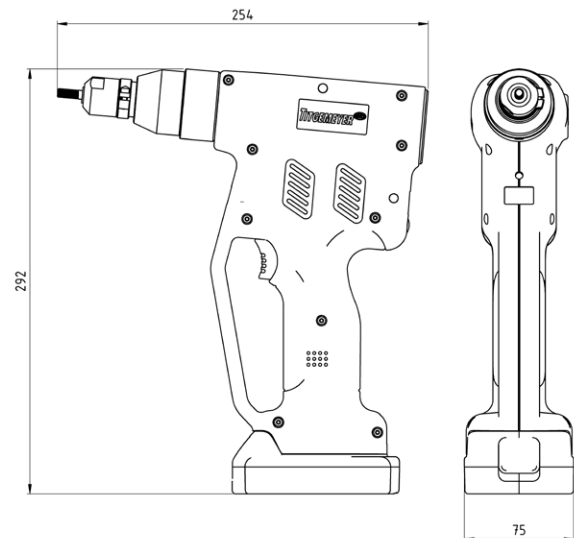
TIOS-CONTROL process control (load-displacement monitoring)  
 Radio module (WiFi 2.4 GHz and 5 GHz, Zigbee 2,4 GHz)  
 Barcode reader (for program settings and parts recognition)

### Working range

Blind rivet nuts	M3	M4	M5	M6	M8	M10
Aluminium	•	*•	*•	*•	•	•
Steel	•	*•	*•	*•	•	•
Stainless steel	•	*•	*•	*•	•	•

\* For use with blind rivet studs

<sup>1</sup> Pulling head units not included. Please order separately.





### Spare parts / Consumables

Thread size	Pulling unit* complete	Mundstück	Threaded mandrel
	Article No.	Mundstück	Article No.
M3	352 400 100	351 013 000	351 003 000
M4	352 400 101	351 014 000	351 004 000
M5	352 400 102	351 015 000	351 005 000
M6	352 400 103	351 016 000	351 006 000
M8	352 400 104	351 018 000	351 008 000
M10	352 400 105	351 020 000	351 010 000

\* Pulling head units not included. Please order separately.

The pulling head unit does not depend on the size of thread and is only needed once.

### Batteries and charger

Description	Article No.
TIOS LI01825 2.5 Ah insertable battery	352 200 905
TIOS LI01850 5.0 Ah insertable battery	352 200 904
TIOS LI02830 single charger	352 200 910
TIOS LI02830-4 multi-charger, 4 charging points	352 200 911
TIOS LI02830-8 multi charger, 8 charging points	352 200 912

### Accessories

Description	Article No.
Fixing kit, complete	352 200 921

### Installed rivets per charged battery (2.5 Ah)

Thread size	Aluminium [Qty.]	Steel [Qty.]
M5	1150	850
M6	1050	800
M8	900	450

# FireBird®



Battery-operated blind rivet nut tool for installing M3 - M10 blind rivet nuts and M4 - M8 blind rivet studs

## Benefits at a glance

- Ergonomic design
- Short installation times
- Compact, shock-proof housing

## Technical specifications

Stroke:	5.5 mm
Insertion force:	13.0 kN
Motor:	14.4V DC motor
Length:	285.0 mm
Height:	287.0 mm
Nose cap ø:	29.0 mm
Nose cap length:	87.0 mm
Weight:	2.3 kg with battery (1.3 Ah)



## Scope of delivery

FireBird® battery-operated blind rivet nut tool  
 Quick-change battery 14.4V / 1.3 Ah  
 Rapid charger 14.4V  
 Threaded mandrels: M4 / M5 / M6  
 Nose pieces: M4 / M5 / M6  
 Operating instructions  
 Storage case (metal)  
**Article No. 351 000 000**



## Working range

Rivet nuts	M3	M4	M5	M6	M8	M10
Aluminium	•	•*	•*	•*	•*	•
Steel	•	•*	•*	•*	•*	
Stainless steel	•	•*	•*	•*		

\* For use with blind rivet studs

## Batteries and charger

Description	Weight [kg]	Article No.
Charger 14.4V Li-Ion	0.6	431 976 000
Quick-change battery 14.4 V / 1.3 Ah Li-Ion	0.4	431 978 000
Quick-change battery 14.4 V / 2.6 Ah Li-Ion	0.5	431 982 000

## Spare parts / Consumables

Thread size	Nose piece Article No.	Threaded mandrel Article No.	Internal threaded mandrel, Article No.
M3	351 013 000	351 003 000	
M4	351 014 000	351 004 000	
M5	351 015 000	351 005 000	
M6	351 016 000	351 006 000	351 073 000
M8	351 018 000	351 008 000	351 074 000
M10	351 020 000	351 010 000	

## Installed rivets per charged battery (2.5 Ah)

Thread size	Aluminium [Qty.]	Steel [Qty.]
M3	600	550
M4	520	480
M5	480	400
M6	400	300
M8	340	180
M10	300	