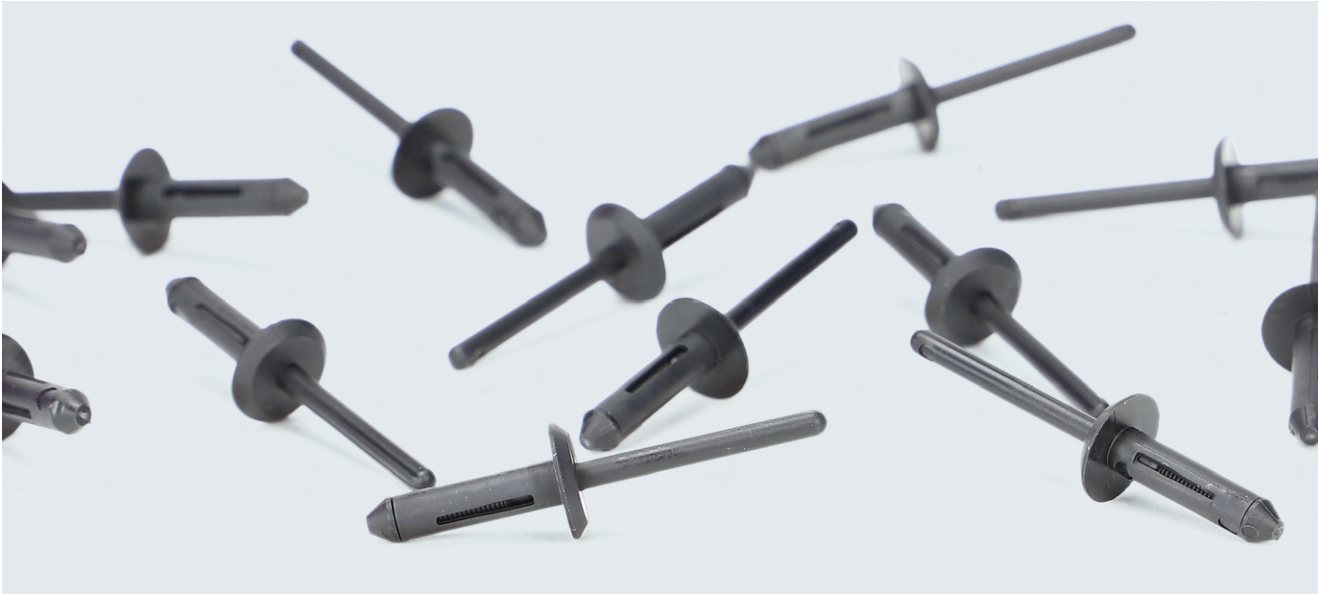




# TIFAS® plastic blind rivets



Securely fitting plastic blind rivet.  
Can be installed using standard tools.  
Will not damage varnished surfaces.  
Non-corrosive and watertight.

## Benefits at a glance

- Suitable for securing components
- Installation using standard tools
- Universal use
- Quick and secure installation
- Heatless installation means component will not warp
- Eliminates extensive refinishing

## Applications

- General industry
- Automotive industry
- Bodywork and vehicle manufacture

# TIFAS® plastic blind rivets

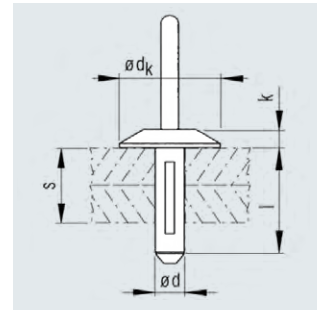


## Truss head

### Material

Sleeve  
Plastic,  
Polyamide PA 6.6,  
black

Mandrel  
Plastic,  
Polyoxymethylene POM,  
black



Nominal $\varnothing$ $d +0.0 -0.5$ [mm]	Bore $\varnothing$ [mm]	Grip range $s$ [mm]	Sleeve $l +0.0 -3.0$ [mm]	Rivet head $\varnothing$ $dk$ [mm]	Height $k$ [mm]	Article No.
4.5	4.0 - 4.5	6.0 - 10.5	26.0	15.5 x 8.5	2.5	409 200 000
5.5	5.0 - 5.5	1.5 - 4.5	18.5	12.0	3.3	409 201 000
		3.0 - 6.0	20.0	12.0	1.8	409 202 000
		6.0 - 10.0	25.0	12.0	1.8	409 203 000
6.8	6.3 - 6.8	4.0 - 6.0	28.0	17.0	2.5	409 204 000
7.5	7.0 - 7.5	2.5 - 6.0	24.0	18.0	2.6	409 205 000

Other designs available on request.



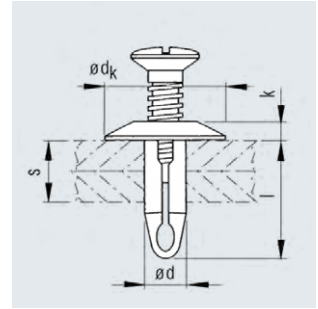
# TIFAS® plastic blind rivets

## Truss head

### Material

Sleeve  
Plastic,  
Polyamide PA 6.6,  
black

Mandrel  
Plastic,  
Polyamide PA 6.6,  
black



Nominal $\emptyset$ d [mm]	Bore $\emptyset$ [mm]	Grip range s [mm]	Sleeve l [mm]	Rivet head $\emptyset$ dk [mm]	Article No.
5.0	5.0	2.5 - 3.5	17.5	11.0	435 220 000
5.8	5.8 - 6.0	4.5 - 7.5	20.0	11.0	435 221 000
6.8	6.3 - 6.8	2.5 - 8.0	22.8	15.5	435 222 000 <sup>1</sup>
8.5	8.0 - 8.5	3.5 - 8.5	20.0	15.0	435 223 000 <sup>1</sup>
6.3 square	6.35 x 6.25	0.9 - 1.2	4.6	11.5	435 224 000

<sup>1</sup> Grip range depends on bore hole.

Other designs available on request.