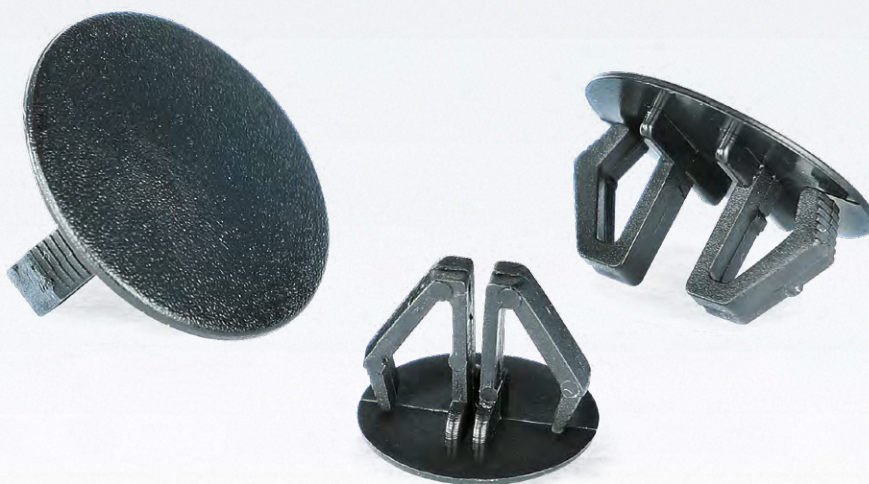


Fastening Technology / Assembly Systems

# POLYSTIC<sup>®</sup> Caps







# Contents

			Page
POLYSTIC® caps	Overview		4
	Dome head	Plastic, black	5





# POLYSTIC® Caps



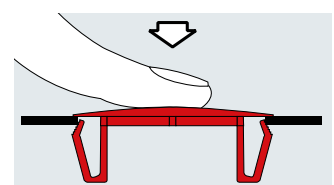
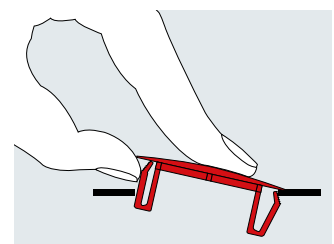
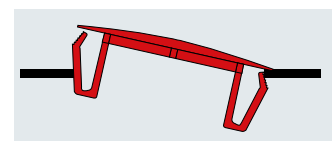
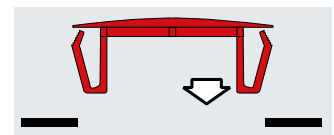
POLYSTIC® caps are made of ABS plastic and designed to cover holes in 0.8 mm to 3.2 mm sheeting or panelling.

POLYSTIC® caps are fitted with special snap-fit hooks and can be used on a large variety of wall thicknesses and bore hole diameters. Once snapped into place, the cap rests very flat on the surface, with just a small amount of curvature, and provides a visually appealing cover for the round hole.

## Benefits at a glance

- Very easy to install
- Very flat design
- Visually appealing cover for round holes in sheeting/panelling
- Fits securely around the edges
- Large range of uses:
  - Wall thicknesses ranging from 0.8 mm to 3.2 mm
  - Bore hole diameters as per details in brochure
- High-quality plastic: ABS

## Installation recommendations



## POLYSTIC® Caps

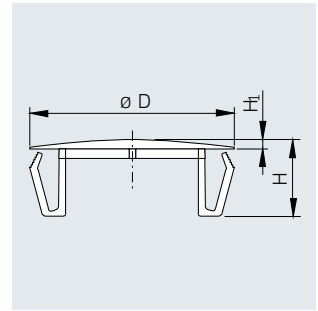


## Dome Head

## Material



Acrylonitrile butadiene styrene (ABS), black



Hole $\varnothing$ [mm]	Material thickness [mm]	Cap $\varnothing$ [mm]	Product height H [mm]	Cap height H1 [mm]	Article No.
9.5 - 11.0	0.8 - 3.2	16.0	12.6	1.6	435 010 001
12.7 - 14.5	0.8 - 3.2	18.5	12.0	1.6	435 011 001
15.0 - 17.5	0.8 - 3.2	21.5	12.0	1.6	435 012 001
18.4 - 20.5	0.8 - 3.2	25.0	12.0	1.6	435 013 001
22.0 - 25.5	0.8 - 3.2	32.5	13.6	1.6	435 014 001
27.0 - 32.5	0.8 - 3.2	35.0	13.6	2.1	435 015 001
35.5 - 40.0	0.8 - 3.2	43.0	13.6	2.1	435 016 001
44.5 - 49.0	0.8 - 3.2	53.0	13.6	2.1	435 017 001