



POP® LSR folding leg blind rivets



POP® LSR folding leg blind rivets with load-distributing properties are especially suited for use on soft, fragile or brittle materials. They fit very snugly and securely in metal/plastic fastenings and have a very large grip range. The folding sleeve expands into three legs on the blind side. This claw technique creates a large contact surface on the blind side. The contact load distributes across the rear material and provides high pull-out resistance.

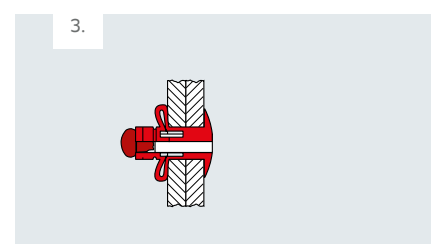
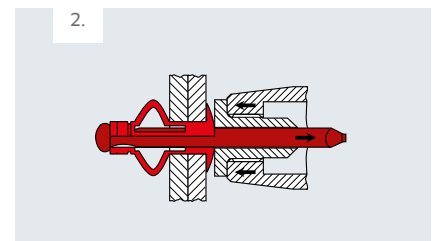
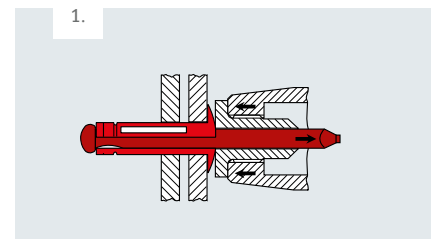


Applications

- General industry
- Automotive industry
- Bodywork and vehicle manufacture

Benefits at a glance

- Ideal for “hard/soft” connections, such as plastics or GRP
- Universal use
- Quick and secure installation
- Permanent secure fixing
- Heatless installation means component will not warp.
- Eliminates extensive refinishing





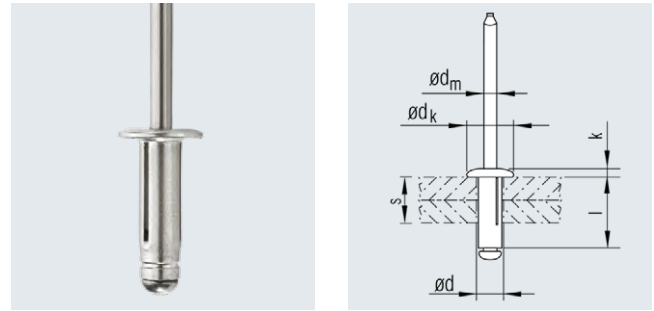
POP® LSR folding leg blind rivets

Truss head

Material

Sleeve
Aluminium AlMg3/3.5

Mandrel
Aluminium



Nominal \varnothing d [mm]	Bore \varnothing [mm]	Grip range s [mm]	Blind sleeve l ± 0.5 [mm]	Blind rivet head		Mandrel \varnothing dm nom. [mm]	Nominal strength at break*		Article No.
				\varnothing dk ± 0.4 [mm]	Height k max [mm]		Shear N	Tensile N	
3.2	3.4 - 3.5	0.5 - 6.4	17.2	6.4	1.2	1.8	400	500	300 833 001
4	4.2 - 4.3	0.5 - 6.4	17.5	8.0	1.4	2.3	700	900	300 840 000
		3.0 - 9.5	21.3	8.0	1.4	2.3	700	900	300 841 000
		3.0 - 9.5	25	8.0	1.4	2.3	700	900	300 842 000
4.8	5.0 - 5.2	0.5 - 6.4	17.5	9.5	1.6	2.6	1000	1400	300 850 001
		3.0 - 9.5	19.8	9.5	1.6	2.6	1000	1400	300 851 001
		5.0 - 12.0	23.5	9.5	1.6	2.6	1000	1400	300 852 001

* Strengths at break relate to rivet failure.

Other designs available on request.