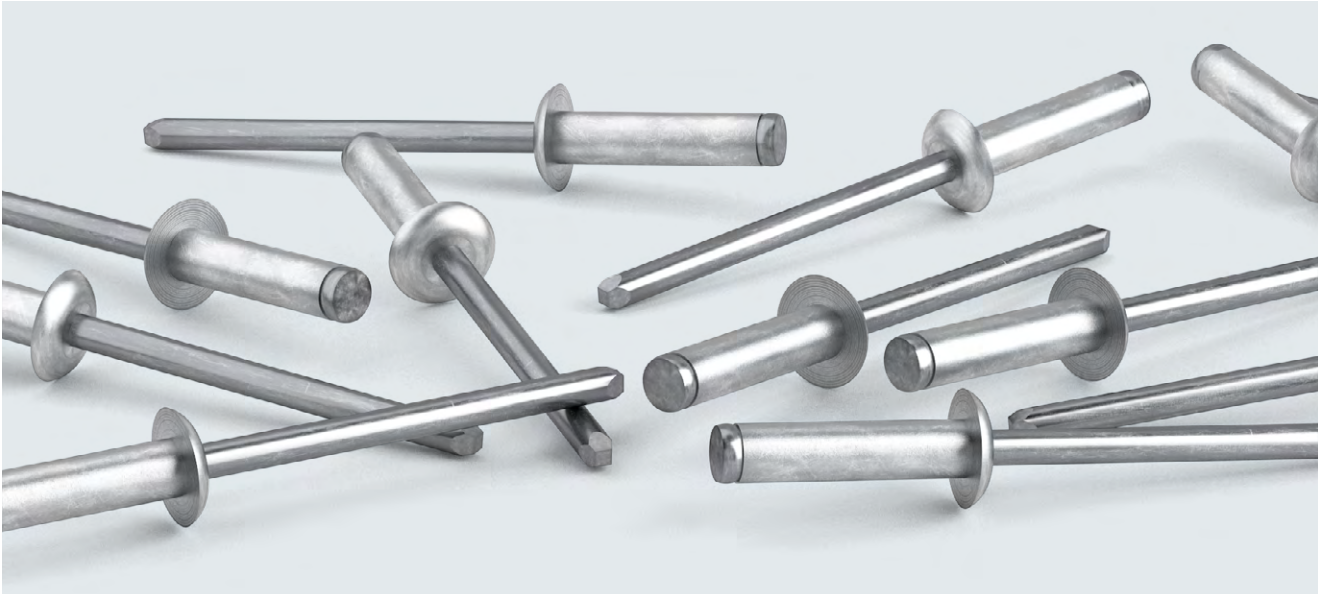




# POP® Soft-Set Blind Rivets



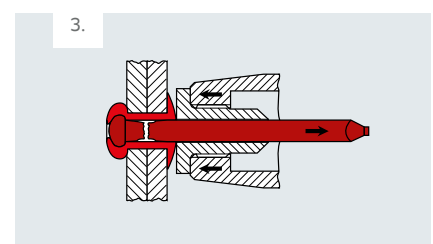
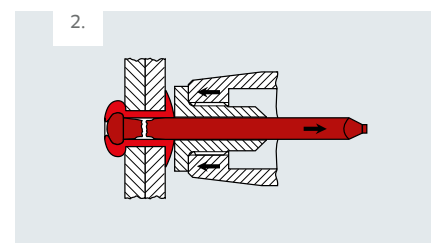
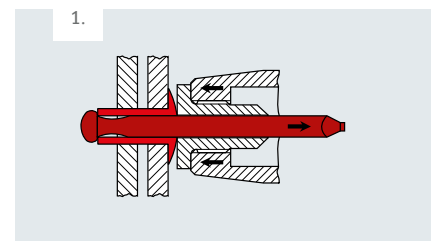
POP Soft-Set blind rivets are ideal for particularly soft and brittle materials as the blind sleeve is made of A199 aluminium.

## Applications

- General industry
- Household appliances
- Interior fittings
- Automotive industry
- Bodywork and vehicle manufacture

## Benefits at a glance

- Ideal for synthetic or plastic components
- Universal use
- Quick and secure installation
- Permanent secure fixing
- Heatless installation means component will not warp.
- Eliminates extensive refinishing





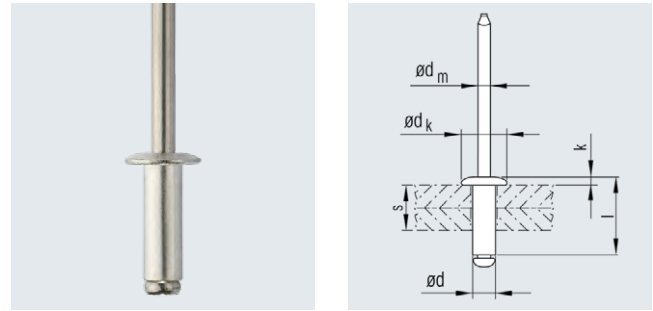
# POP® Soft-Set blind rivets

## Dome head

### Material

Sleeve  
Aluminium Al99

Mandrel  
Aluminium



Nominal $\varnothing$ d [mm]	Bore $\varnothing$ [mm]	Grip range s [mm]	Blind sleeve l $\pm 0.5$ [mm]	Blind rivet head		Mandrel $\varnothing$ dm nom. [mm]	Nominal strength at break*		Article No.
				$\varnothing$ dk $\pm 0.4$ [mm]	Height k max [mm]		Shear N	Tensile N	
3.2	3.3 - 3.4	4.8 - 6.4	9.5	6.5	1.1	1.9	280	370	300 910 000
		6.4 - 9.5	12.7	6.5	1.1	1.9	280	370	300 911 000
4.0	4.1 - 4.2	4.8 - 6.4	10.2	8.0	1.2	2.4	460	640	300 920 000
		6.4 - 9.5	13.2	8.0	1.2	2.4	460	640	300 921 000
4.8	4.9 - 5.0	6.4 - 9.5	14.0	9.5	1.4	2.9	640	910	300 930 000
		9.5 - 12.7	17.2	9.5	1.4	2.9	640	910	300 931 000

\* Strengths at break relate to rivet failure.

Other designs available on request.