

Fastening Technology / Lockbolt Systems

HuckBolt® C50L®

Lockbolt System > 10 mm





Copyright

All texts, images, technical documents and other information contained in this catalogue are subject to copyright held by Titgemeyer GmbH & Co. KG. Any reproduction or disclosure, whether as a copy or other form of duplication or use, is expressly prohibited without the prior consent of Titgemeyer GmbH & Co. KG.

Registered trademarks

The trademarks BÖRTI, GETO, GETO therm, GETOVAN, GTO, LockBolt, MEGA PORT, plasti van, PLYFIX, POLYSTIC, press-ti, RIEKO, RIV-TI, ROLL-TO, TIBOLT, TIBULB, TIFAS, TILA, TIOS and Titgemeyer are registered trademarks and the intellectual property of Titgemeyer GmbH & Co. KG.

Term of Delivery and Payment

All deliveries are carried out in compliance with our Terms of Delivery and Payment.

Limitation of liability

All technical data, performance descriptions, drawings, illustrations, measurements, weights or any other performance data, recommendations and guidelines contained in this catalogue and relating to the installation of parts that we supply are only binding if so expressly agreed.

Moreover, the user is obliged at all times to check each individual use and decide whether the components that we supply can be used as needed.

We accept liability in the case of wilful intent, gross negligence and infringement of cardinal contractual duties as well as for errors in respect of express or implied representations. Notwithstanding this, any claims for compensation not explicitly agreed to in these terms and conditions are hereby excluded in the case of customers who are not consumers and, in the case of such customers, who are not consumers, at all events limited to the damage foreseeable at the time of concluding the contract as well as to the value of the delivered consignment. To the extent that our liability is excluded or limited, this shall extend accordingly to the personal liability of employees, legal representatives and vicarious agents. In all instances of gross negligence committed by vicarious agents, we shall solely be liable to customers, who are not consumers, to compensate for typically foreseeable damage. The statutory regulation governing the burden of proof shall remain unaffected. The aforementioned limitation of liability shall not apply to claims resulting from product liability, for damage resulting from injury to life, limb or health, or for damage to privately used property.

All technical specifications contained in this brochure are approximate and no guarantee is given as to their accuracy. Designs are subject to change.



Contents

			Page
HuckBolt® C50L® lockbolt system	Overview		4
	Brazier	Steel, bare, black	6
	Countersunk 90°	Steel, bare, black	8
	Standard collar	Steel, galvanised, passivated	10
	Flanged collar	Steel, galvanised, passivated	11



HuckBolt® C50L®

The lockbolt system for heavy-duty applications.



Lockbolts are ideal for permanently and securely fastening two parts together so that they will never detach even when subjected to preload or dynamic load.

HUCKBolt C50L is a pin and collar system comprising grade 8.8 material with a diameter of 12.7 mm. The pin tail breakoff is designed to marry perfectly with the specially adapted collars. Collars are available with or without flange, as required.

The HUCKBolt C50L system is used for applications involving very high input forces and torque (heavy-duty applications). Even when subjected to vibrations, the applied clamp force remains constant. As a positive locking device that fastens permanently with the bolt, the collar is impossible to remove.

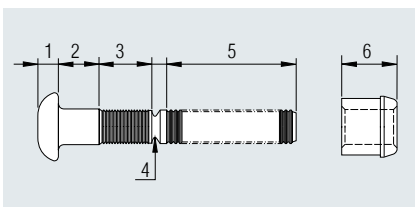
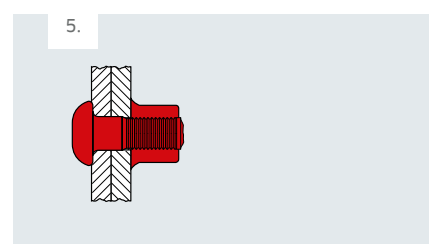
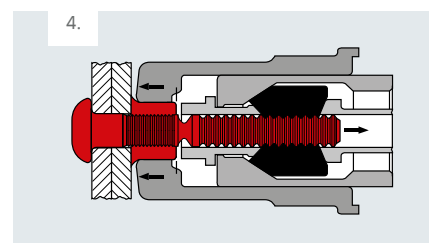
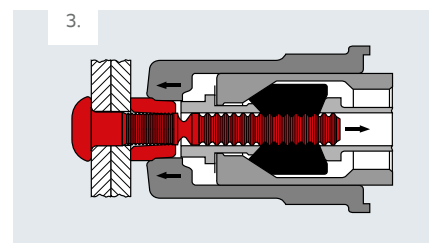
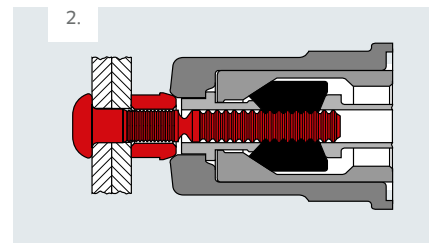
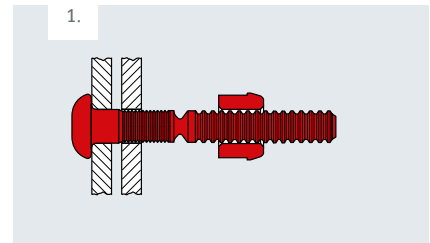


Benefits at a glance

- Very high tensile and shear strength
- Very high clamp force
- Safe-build-up of clamp force
- Constant clamp force / preload
- Vibration resistant
- No heat exposure around the joint
- No warping
- No refinishing required around the joint
- No surface damage on components
- Visual inspection
- Installation can be checked using process monitoring
- Maintenance-free
- Quick and easy installation

Installation steps

1. Select lockbolts based on the specified requirements as well as the clamping thicknesses available on-site (sum total of all wall thicknesses to be installed)
2. Select the installation tool incl. pulling head that matches the lockbolts to be installed (for details, see "Overview - High-strength Lockbolts" in the „Tools for Lockbolts“ catalogue)
3. Insert the bolt into both through-holes on the components and, with the chamfer aligned to the end of the bolt, slide the collar over the lockbolt. (Fig. 1)
4. Fully press the installation tool with attached pulling head against the collar while securing the pin in place from the opposite side to prevent it from being poked out. (Fig. 2)
5. Press the trigger on the installation tool. The jaws then grip into the grooves on the pin tail and tug at the pin. The pulling head sleeve presses up against the components and the resulting clamp force pushes them together. (Fig. 3)
6. As the tool continues to pull, the pulling head sleeve slides over the collar. (Fig. 4) This reduces the external diameter of the collar. The compressed material slides into the locking grooves of the bolt to form the desired positive fit. As the front side of the sleeve elongates, it is pushed up against the component to create the desired preload where the parts connect.
7. The tool will continue to pull until the lockbolt's preload is achieved, causing the tip of the bolt (pulling head) to snap off at the end of the collar. Installation is now complete. (Fig. 5)



Composition

- 1 = Brazier or countersunk
- 2 = Smooth pin shank
- 3 = Locking grooves
- 4 = Breakneck groove
- 5 = Pin tail
- 6 = Collar

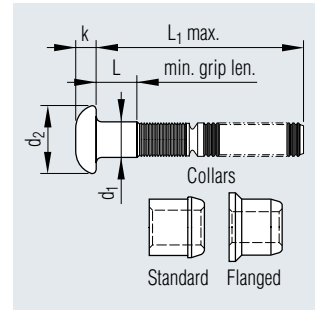


HuckBolt® C50L® Lockbolt System > 10 mm

Brazier

Material

Steel (Type 8.8) EN 10263-3
bare, black



Nominal-bolt \varnothing	Bore \varnothing	Grip range		Dimensions					Strength			Article No.
		Standard collar	Flanged collar	L nom	L ₁ max	d ₁	d ₂ nom	k nom	Shear [N]	Tensile [N]	Preload [N]	
[mm]	max [mm]	[mm]	[mm]	[mm]	[mm]	[mm]	[mm]	[mm]	[N]	[N]	[N]	■ 8.8 bolt
12.7	13.1 - 14.3	6.5 - 13.0	3.0 - 10.0	6.5	85.5	12.5 - 13.1	23.5	8.0	64100	75800	53600	377 300 000
		12.5 - 19.5	9.5 - 16.5	12.5	91.5	12.5 - 13.1	23.5	8.0	64100	75800	53600	377 301 000
		19.0 - 26.0	16.0 - 23.0	19.0	98.0	12.5 - 13.1	23.5	8.0	64100	75800	53600	377 302 000
		25.5 - 32.5	22.5 - 29.0	25.5	104.5	12.5 - 13.1	23.5	8.0	64100	75800	53600	377 303 000
		32.0 - 38.5	28.5 - 35.5	32.0	111.0	12.5 - 13.1	23.5	8.0	64100	75800	53600	377 304 000
		38.0 - 45.0	35.0 - 42.0	38.0	117.0	12.5 - 13.1	23.5	8.0	64100	75800	53600	377 305 000
		44.5 - 51.5	41.5 - 48.0	44.5	123.5	12.5 - 13.1	23.5	8.0	64100	75800	53600	377 306 000
		51.0 - 58.0	47.5 - 54.5	51.0	130.0	12.5 - 13.1	23.5	8.0	64100	75800	53600	377 307 000
		57.5 - 64.0	54.0 - 61.0	57.5	136.5	12.5 - 13.1	23.5	8.0	64100	75800	53600	377 308 000
		63.5 - 70.5	60.5 - 67.5	63.5	142.5	12.5 - 13.1	23.5	8.0	64100	75800	53600	377 309 000
		70.0 - 77.0	67.0 - 73.5	70.0	149.0	12.5 - 13.1	23.5	8.0	64100	75800	53600	377 310 000
		76.5 - 83.5	73.0 - 80.0	76.5	155.5	12.5 - 13.1	23.5	8.0	64100	75800	53600	377 311 000
		83.0 - 89.5	79.5 - 86.5	83.0	162.0	12.5 - 13.1	23.5	8.0	64100	75800	53600	377 312 000
		89.0 - 96.0	86.0 - 93.0	89.0	168.0	12.5 - 13.1	23.5	8.0	64100	75800	53600	377 313 000
95.5 - 102.0	92.5 - 99.0	95.5	174.5	12.5 - 13.1	23.5	8.0	64100	75800	53600	377 314 000		
101.5-108.5	98.5 - 105.5	101.5	180.5	12.5 - 13.1	23.5	8.0	64100	75800	53600	377 315 000		
15.9	16.3 - 17.5	6.5 - 13.0	2.5 - 9.5	6.5	98.0	15.7 - 16.3	29.0	10.0	100100	120500	85400	377 400 000
		12.5 - 19.5	9.0 - 15.5	12.5	104.0	15.7 - 16.3	29.0	10.0	100100	120500	85400	377 401 000
		19.0 - 26.0	15.0 - 22.0	19.0	110.5	15.7 - 16.3	29.0	10.0	100100	120500	85400	377 402 000
		25.5 - 32.5	21.5 - 28.5	25.5	117.0	15.7 - 16.3	29.0	10.0	100100	120500	85400	377 403 000
		32.0 - 38.5	28.0 - 35.0	32.0	123.5	15.7 - 16.3	29.0	10.0	100100	120500	85400	377 404 000
		38.0 - 45.0	34.5 - 41.0	38.0	129.5	15.7 - 16.3	29.0	10.0	100100	120500	85400	377 405 000
		44.5 - 51.5	40.5 - 47.5	44.5	136.0	15.7 - 16.3	29.0	10.0	100100	120500	85400	377 406 000
		51.0 - 58.0	47.0 - 54.0	51.0	142.5	15.7 - 16.3	29.0	10.0	100100	120500	85400	377 407 000
		57.5 - 64.0	53.5 - 60.0	57.5	149.0	15.7 - 16.3	29.0	10.0	100100	120500	85400	377 408 000
		63.5 - 70.5	59.5 - 66.5	63.5	155.0	15.7 - 16.3	29.0	10.0	100100	120500	85400	377 409 000
		70.0 - 77.0	66.0 - 73.0	70.0	161.5	15.7 - 16.3	29.0	10.0	100100	120500	85400	377 410 000
		76.5 - 83.5	72.5 - 79.5	76.5	168.0	15.7 - 16.3	29.0	10.0	100100	120500	85400	377 411 000
		83.0 - 89.5	79.0 - 85.5	83.0	174.5	15.7 - 16.3	29.0	10.0	100100	120500	85400	377 412 000
		89.0 - 96.0	85.0 - 92.0	89.0	180.5	15.7 - 16.3	29.0	10.0	100100	120500	85400	377 413 000
95.5 - 102.0	91.5 - 98.0	95.5	187.0	15.7 - 16.3	29.0	10.0	100100	120500	85400	377 414 000		
101.5-108.5	97.5 - 104.5	101.5	193.0	15.7 - 16.3	29.0	10.0	100100	120500	85400	377 415 000		

Continued on next page



Cont'd

Nominal bolt ø	Bore ø	Grip range		Dimensions					Strength			Article No.
		Standard collar	Flanged collar	L nom	L ₁ max	d ₁	d ₂	k	Shear	Tensile	Preload	
[mm]	[mm]	[mm]	[mm]	[mm]	[mm]	[mm]	[mm]	[mm]	[N]	[N]	[N]	■ 8.8 bolt
19.1	19.5 - 20.7	6.5 - 13.0	2.0 - 8.5	6.5	110.5	18.8 - 19.5	35.0	12.0	144100	178400	126300	377 500 000
		12.5 - 19.5	8.0 - 15.0	12.5	116.5	18.8 - 19.5	35.0	12.0	144100	178400	126300	377 501 000
		19.0 - 26.0	14.5 - 21.5	19.0	123.0	18.8 - 19.5	35.0	12.0	144100	178400	126300	377 502 000
		25.5 - 32.5	21.0 - 27.5	25.5	129.5	18.8 - 19.5	35.0	12.0	144100	178400	126300	377 503 000
		32.0 - 38.5	27.0 - 34.0	32.0	136.0	18.8 - 19.5	35.0	12.0	144100	178400	126300	377 504 000
		38.0 - 45.0	33.5 - 40.5	38.0	142.0	18.8 - 19.5	35.0	12.0	144100	178400	126300	377 505 000
		44.5 - 51.5	40.0 - 47.0	44.5	148.5	18.8 - 19.5	35.0	12.0	144100	178400	126300	377 506 000
		51.0 - 58.0	46.5 - 53.0	51.0	155.0	18.8 - 19.5	35.0	12.0	144100	178400	126300	377 507 000
		57.5 - 64.0	52.5 - 59.5	57.5	161.5	18.8 - 19.5	35.0	12.0	144100	178400	126300	377 508 000
		63.5 - 70.5	59.0 - 66.0	63.5	167.5	18.8 - 19.5	35.0	12.0	144100	178400	126300	377 509 000
		70.0 - 77.0	65.5 - 72.5	70.0	174.0	18.8 - 19.5	35.0	12.0	144100	178400	126300	377 510 000
		76.5 - 83.5	72.0 - 78.5	76.5	180.5	18.8 - 19.5	35.0	12.0	144100	178400	126300	377 511 000
		83.0 - 89.5	78.0 - 85.0	83.0	187.0	18.8 - 19.5	35.0	12.0	144100	178400	126300	377 512 000
89.0 - 96.0	84.5 - 91.5	89.0	193.0	18.8 - 19.5	35.0	12.0	144100	178400	126300	377 513 000		
95.5 - 102.0	91.0 - 97.5	95.5	199.5	18.8 - 19.5	35.0	12.0	144100	178400	126300	377 514 000		
101.5 - 108.5	97.0 - 104.0	101.5	205.5	18.8 - 19.5	35.0	12.0	144100	178400	126300	377 515 000		
22.2	22.8 - 23.8	12.5 - 19.5	7.0 - 14.0	12.5	124.0	22.0 - 22.7	40.5	14.0	193100	246700	174600	377 601 000
		19.0 - 26.0	13.5 - 20.5	19.0	130.5	22.0 - 22.7	40.5	14.0	193100	246700	174600	377 602 000
		25.5 - 32.5	20.0 - 27.0	25.5	137.0	22.0 - 22.7	40.5	14.0	193100	246700	174600	377 603 000
		32.0 - 38.5	26.5 - 33.5	32.0	143.5	22.0 - 22.7	40.5	14.0	193100	246700	174600	377 604 000
		38.0 - 45.0	33.0 - 39.5	38.0	149.5	22.0 - 22.7	40.5	14.0	193100	246700	174600	377 605 000
		44.5 - 51.5	39.0 - 46.0	44.5	156.0	22.0 - 22.7	40.5	14.0	193100	246700	174600	377 606 000
		51.0 - 58.0	45.5 - 52.5	51.0	162.5	22.0 - 22.7	40.5	14.0	193100	246700	174600	377 607 000
		57.5 - 64.0	52.0 - 58.5	57.5	169.0	22.0 - 22.7	40.5	14.0	193100	246700	174600	377 608 000
		63.5 - 70.5	58.0 - 65.0	63.5	175.0	22.0 - 22.7	40.5	14.0	193100	246700	174600	377 609 000
		70.0 - 77.0	64.5 - 71.5	70.0	181.5	22.0 - 22.7	40.5	14.0	193100	246700	174600	377 610 000
		76.5 - 83.5	71.0 - 78.0	76.5	188.0	22.0 - 22.7	40.5	14.0	193100	246700	174600	377 611 000
		83.0 - 89.5	77.5 - 84.0	83.0	194.5	22.0 - 22.7	40.5	14.0	193100	246700	174600	377 612 000
		89.0 - 96.0	83.5 - 90.5	89.0	200.5	22.0 - 22.7	40.5	14.0	193100	246700	174600	377 613 000
95.5 - 102.0	90.0 - 97.0	95.5	207.0	22.0 - 22.7	40.5	14.0	193100	246700	174600	377 614 000		
101.5 - 108.5	96.5 - 103.0	101.5	213.0	22.0 - 22.7	40.5	14.0	193100	246700	174600	377 615 000		
25.4	26.0 - 27.0	12.5 - 19.5	6.5 - 13.5	12.5	141.0	25.1 - 26.0	46.5	15.5	251300	323400	229100	377 701 000
		19.0 - 26.0	13.0 - 20.0	19.0	147.5	25.1 - 26.0	46.5	15.5	251300	323400	229100	377 702 000
		25.5 - 32.5	19.5 - 26.5	25.5	154.0	25.1 - 26.0	46.5	15.5	251300	323400	229100	377 703 000
		32.0 - 38.5	26.0 - 32.5	32.0	160.5	25.1 - 26.0	46.5	15.5	251300	323400	229100	377 704 000
		38.0 - 45.0	32.0 - 39.0	38.0	166.5	25.1 - 26.0	46.5	15.5	251300	323400	229100	377 705 000
		44.5 - 51.5	38.5 - 45.5	44.5	173.0	25.1 - 26.0	46.5	15.5	251300	323400	229100	377 706 000
		51.0 - 58.0	45.0 - 52.0	51.0	179.5	25.1 - 26.0	46.5	15.5	251300	323400	229100	377 707 000
		57.5 - 64.0	51.5 - 58.0	57.5	186.0	25.1 - 26.0	46.5	15.5	251300	323400	229100	377 708 000
		63.5 - 70.5	57.5 - 64.5	63.5	192.0	25.1 - 26.0	46.5	15.5	251300	323400	229100	377 709 000
		70.0 - 77.0	64.0 - 71.0	70.0	198.5	25.1 - 26.0	46.5	15.5	251300	323400	229100	377 710 000
		76.5 - 83.5	70.5 - 77.0	76.5	205.0	25.1 - 26.0	46.5	15.5	251300	323400	229100	377 711 000
		83.0 - 89.5	76.5 - 83.5	83.0	211.5	25.1 - 26.0	46.5	15.5	251300	323400	229100	377 712 000
		89.0 - 96.0	83.0 - 90.0	89.0	217.5	25.1 - 26.0	46.5	15.5	251300	323400	229100	377 713 000
95.5 - 102.0	89.5 - 96.0	95.5	224.0	25.1 - 26.0	46.5	15.5	251300	323400	229100	377 714 000		
101.5 - 108.5	95.5 - 102.5	101.5	230.5	25.1 - 26.0	46.5	15.5	251300	323400	229100	377 715 000		

For technical specifications, see table of collars. Please order collars separately!

Subject to change

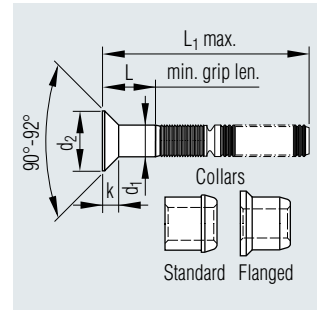
HuckBolt® C50L® Lockbolt System > 10 mm



Countersunk 90°

Material

Steel (Type 8.8) EN 10263-3
bare, black



Nominal bolt ø	Bore ø	Grip range		Dimensions					Strength			Article No.
		Standard collar	Flanged collar	L nom	L ₁ max	d ₁	d ₂ nom	k nom	Shear [N]	Tensile [N]	Preload [N]	
[mm]	[mm]	[mm]	[mm]	[mm]	[mm]	[mm]	[mm]	[mm]	[N]	[N]	[N]	■ 8.8 bolt
12.7	13.1 - 14.3	12.5 - 19.5	9.5 - 16.5	12.5	91.5	12.5 - 13.1	23.0	6.3	64100	75800	53600	377 341 000
		19.0 - 26.0	16.0 - 23.0	19.0	98.0	12.5 - 13.1	23.0	6.3	64100	75800	53600	377 342 000
		25.5 - 32.5	22.5 - 29.0	25.5	104.5	12.5 - 13.1	23.0	6.3	64100	75800	53600	377 343 000
		32.0 - 38.5	28.5 - 35.5	32.0	111.0	12.5 - 13.1	23.0	6.3	64100	75800	53600	377 344 000
		38.0 - 45.0	35.0 - 42.0	38.0	117.0	12.5 - 13.1	23.0	6.3	64100	75800	53600	377 345 000
		44.5 - 51.5	41.5 - 48.0	44.5	123.5	12.5 - 13.1	23.0	6.3	64100	75800	53600	377 346 000
		51.0 - 58.0	47.5 - 54.5	51.0	130.0	12.5 - 13.1	23.0	6.3	64100	75800	53600	377 347 000
		57.5 - 64.0	54.0 - 61.0	57.5	136.5	12.5 - 13.1	23.0	6.3	64100	75800	53600	377 348 000
		63.5 - 70.5	60.5 - 67.5	63.5	142.5	12.5 - 13.1	23.0	6.3	64100	75800	53600	377 349 000
		70.0 - 77.0	67.0 - 73.5	70.0	149.0	12.5 - 13.1	23.0	6.3	64100	75800	53600	377 350 000
		76.5 - 83.5	73.0 - 80.0	76.5	155.5	12.5 - 13.1	23.0	6.3	64100	75800	53600	377 351 000
		83.0 - 89.5	79.5 - 86.5	83.0	162.0	12.5 - 13.1	23.0	6.3	64100	75800	53600	377 352 000
		89.0 - 96.0	86.0 - 93.0	89.0	168.0	12.5 - 13.1	23.0	6.3	64100	75800	53600	377 353 000
		95.5 - 102.0	92.5 - 99.0	95.5	174.5	12.5 - 13.1	23.0	6.3	64100	75800	53600	377 354 000
101.5 - 108.5	98.5 - 105.5	101.5	180.5	12.5 - 13.1	23.0	6.3	64100	75800	53600	377 355 000		
16.0	16.3 - 17.5	12.5 - 19.5	9.0 - 15.5	12.5	104.0	15.7 - 16.3	29.5	7.9	100100	120500	85400	377 441 000
		19.0 - 26.0	15.0 - 22.0	19.0	110.5	15.7 - 16.3	29.5	7.9	100100	120500	85400	377 442 000
		25.5 - 32.5	21.5 - 28.5	25.5	117.0	15.7 - 16.3	29.5	7.9	100100	120500	85400	377 443 000
		32.0 - 38.5	28.0 - 35.0	32.0	123.5	15.7 - 16.3	29.5	7.9	100100	120500	85400	377 444 000
		38.0 - 45.0	34.5 - 41.0	38.0	129.5	15.7 - 16.3	29.5	7.9	100100	120500	85400	377 445 000
		44.5 - 51.5	40.5 - 47.5	44.5	136.0	15.7 - 16.3	29.5	7.9	100100	120500	85400	377 446 000
		51.0 - 58.0	47.0 - 54.0	51.0	142.5	15.7 - 16.3	29.5	7.9	100100	120500	85400	377 447 000
		57.5 - 64.0	53.5 - 60.0	57.5	149.0	15.7 - 16.3	29.5	7.9	100100	120500	85400	377 448 000
		63.5 - 70.5	59.5 - 66.5	63.5	155.0	15.7 - 16.3	29.5	7.9	100100	120500	85400	377 449 000
		70.0 - 77.0	66.0 - 73.0	70.0	161.5	15.7 - 16.3	29.5	7.9	100100	120500	85400	377 450 000
		76.5 - 83.5	72.5 - 79.5	76.5	168.0	15.7 - 16.3	29.5	7.9	100100	120500	85400	377 451 000
		83.0 - 89.5	79.0 - 85.5	83.0	174.5	15.7 - 16.3	29.5	7.9	100100	120500	85400	377 452 000
		89.0 - 96.0	85.0 - 92.0	89.0	180.5	15.7 - 16.3	29.5	7.9	100100	120500	85400	377 453 000
		95.5 - 102.0	91.5 - 98.0	95.5	187.0	15.7 - 16.3	29.5	7.9	100100	120500	85400	377 454 000
101.5 - 108.5	97.5 - 104.5	101.5	193.0	15.7 - 16.3	29.5	7.9	100100	120500	85400	377 455 000		

Continued on next page



Cont'd

Nominal bolt ø	Bore ø	Grip range		Dimensions					Strength			Article No.
		Standard collar	Flanged collar	L nom	L ₁ max	d ₁	d ₂ nom	k nom	Shear [N]	Tensile [N]	Preload [N]	
[mm]	[mm]	[mm]	[mm]	[mm]	[mm]	[mm]	[mm]	[mm]	[N]	[N]	[N]	■ 8.8 bolt
19.0	19.5 - 20.7	12.5 - 19.5	8.0 - 15.0	12.5	116.5	18.8 - 19.5	35.0	9.5	144100	178400	126300	377 541 000
		19.0 - 26.0	14.5 - 21.5	19.0	123.0	18.8 - 19.5	35.0	9.5	144100	178400	126300	377 542 000
		25.5 - 32.5	21.0 - 27.5	25.5	129.5	18.8 - 19.5	35.0	9.5	144100	178400	126300	377 543 000
		32.0 - 38.5	27.0 - 34.0	32.0	136.0	18.8 - 19.5	35.0	9.5	144100	178400	126300	377 544 000
		38.0 - 45.0	33.5 - 40.5	38.0	142.0	18.8 - 19.5	35.0	9.5	144100	178400	126300	377 545 000
		44.5 - 51.5	40.0 - 47.0	44.5	148.5	18.8 - 19.5	35.0	9.5	144100	178400	126300	377 546 000
		51.0 - 58.0	46.5 - 53.0	51.0	155.0	18.8 - 19.5	35.0	9.5	144100	178400	126300	377 547 000
		57.5 - 64.0	52.5 - 59.5	57.5	161.5	18.8 - 19.5	35.0	9.5	144100	178400	126300	377 548 000
		63.5 - 70.5	59.0 - 66.0	63.5	167.5	18.8 - 19.5	35.0	9.5	144100	178400	126300	377 549 000
		70.0 - 77.0	65.5 - 72.5	70.0	174.0	18.8 - 19.5	35.0	9.5	144100	178400	126300	377 550 000
		76.5 - 83.5	72.0 - 78.5	76.5	180.5	18.8 - 19.5	35.0	9.5	144100	178400	126300	377 551 000
		83.0 - 89.5	78.0 - 85.0	83.0	187.0	18.8 - 19.5	35.0	9.5	144100	178400	126300	377 552 000
		89.0 - 96.0	84.5 - 91.5	89.0	193.0	18.8 - 19.5	35.0	9.5	144100	178400	126300	377 553 000
		95.5 - 102.0	91.0 - 97.5	95.5	199.5	18.8 - 19.5	35.0	9.5	144100	178400	126300	377 554 000
101.5 - 108.5	97.0 - 104.0	101.5	205.5	18.8 - 19.5	35.0	9.5	144100	178400	126300	377 555 000		
22.2	22.8 - 23.8	19.0 - 26.0	13.5 - 20.5	19.0	130.5	22.0 - 22.7	40.5	11.0	193100	246700	174600	377 642 000
		25.5 - 32.5	20.0 - 27.0	25.5	137.0	22.0 - 22.7	40.5	11.0	193100	246700	174600	377 643 000
		32.0 - 38.5	26.5 - 33.5	32.0	143.5	22.0 - 22.7	40.5	11.0	193100	246700	174600	377 644 000
		38.0 - 45.0	33.0 - 39.5	38.0	149.5	22.0 - 22.7	40.5	11.0	193100	246700	174600	377 645 000
		44.5 - 51.5	39.0 - 46.0	44.5	156.0	22.0 - 22.7	40.5	11.0	193100	246700	174600	377 646 000
		51.0 - 58.0	45.5 - 52.5	51.0	162.5	22.0 - 22.7	40.5	11.0	193100	246700	174600	377 647 000
		57.5 - 64.0	52.0 - 58.5	57.5	169.0	22.0 - 22.7	40.5	11.0	193100	246700	174600	377 648 000
		63.5 - 70.5	58.0 - 65.0	63.5	175.0	22.0 - 22.7	40.5	11.0	193100	246700	174600	377 649 000
		70.0 - 77.0	64.5 - 71.5	70.0	181.5	22.0 - 22.7	40.5	11.0	193100	246700	174600	377 650 000
		76.5 - 83.5	71.0 - 78.0	76.5	188.0	22.0 - 22.7	40.5	11.0	193100	246700	174600	377 651 000
		83.0 - 89.5	77.5 - 84.0	83.0	194.5	22.0 - 22.7	40.5	11.0	193100	246700	174600	377 652 000
		89.0 - 96.0	83.5 - 90.5	89.0	200.5	22.0 - 22.7	40.5	11.0	193100	246700	174600	377 653 000
		95.5 - 102.0	90.0 - 97.0	95.5	207.0	22.0 - 22.7	40.5	11.0	193100	246700	174600	377 654 000
		101.5 - 108.5	96.5 - 103.0	101.5	213.0	22.0 - 22.7	40.5	11.0	193100	246700	174600	377 655 000
25.4	26.0 - 27.0	19.0 - 26.0	13.0 - 20.0	19.0	147.5	25.1 - 26.0	47.0	12.7	251300	323400	229100	377 742 000
		25.5 - 32.5	19.5 - 26.5	25.5	154.0	25.1 - 26.0	47.0	12.7	251300	323400	229100	377 743 000
		32.0 - 38.5	26.0 - 32.5	32.0	160.5	25.1 - 26.0	47.0	12.7	251300	323400	229100	377 744 000
		38.0 - 45.0	32.0 - 39.0	38.0	166.5	25.1 - 26.0	47.0	12.7	251300	323400	229100	377 745 000
		44.5 - 51.5	38.5 - 45.5	44.5	173.0	25.1 - 26.0	47.0	12.7	251300	323400	229100	377 746 000
		51.0 - 58.0	45.0 - 52.0	51.0	179.5	25.1 - 26.0	47.0	12.7	251300	323400	229100	377 747 000
		57.5 - 64.0	51.5 - 58.0	57.5	186.0	25.1 - 26.0	47.0	12.7	251300	323400	229100	377 748 000
		63.5 - 70.5	57.5 - 64.5	63.5	192.0	25.1 - 26.0	47.0	12.7	251300	323400	229100	377 749 000
		70.0 - 77.0	64.0 - 71.0	70.0	198.5	25.1 - 26.0	47.0	12.7	251300	323400	229100	377 750 000
		76.5 - 83.5	70.5 - 77.0	76.5	205.0	25.1 - 26.0	47.0	12.7	251300	323400	229100	377 751 000
		83.0 - 89.5	76.5 - 83.5	83.0	211.5	25.1 - 26.0	47.0	12.7	251300	323400	229100	377 752 000
		89.0 - 96.0	83.0 - 90.0	89.0	217.5	25.1 - 26.0	47.0	12.7	251300	323400	229100	377 753 000
		95.5 - 102.0	89.5 - 96.0	95.5	224.0	25.1 - 26.0	47.0	12.7	251300	323400	229100	377 754 000
		101.5 - 108.5	95.5 - 102.5	101.5	230.5	25.1 - 26.0	47.0	12.7	251300	323400	229100	377 755 000

For technical specifications, see table of collars. Please order collars separately!

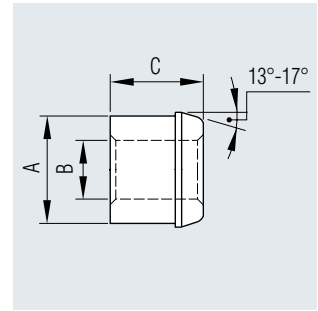


HuckBolt® C50L® Lockbolt System > 10 mm

Standard collar

Material

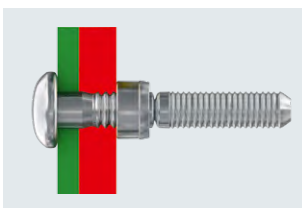
Steel galvanised, passivated
EN 10263-2



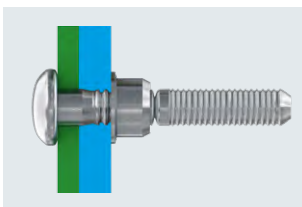
For nominal bolt ϕ	Dimensions			Article No.
	A max. [mm]	B nominal [mm]	C max. [mm]	
12.7	20.5	13.4	16.4	377 200 000
16.0	25.0	16.7	21.8	377 201 900
19.0	30.1	19.9	24.5	377 202 900
22.2	35.1	23.4	28.5	377 203 900
25.4	40.0	26.4	32.6	377 204 900

All collars supplied with added lubrication.

Please note:



Standard collar =
see tables for grip range



Flanged collar =
smaller grip range

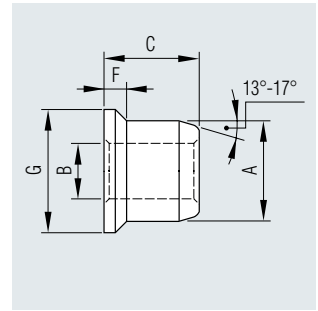


HuckBolt® C50L® Lockbolt System > 10 mm

Flanged collar

Material

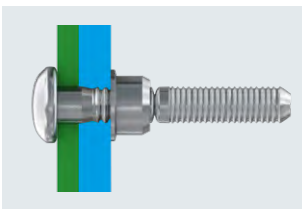
Steel galvanised, passivated
EN 10263-2



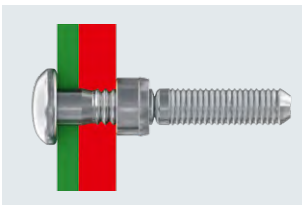
For nominal bolt ϕ	Dimensions					Article No.
	A max. [mm]	B nominal [mm]	C nominal [mm]	D nominal [mm]	E nominal [mm]	
12.7	20.5	13.4	18.5	3.2	25.5	377 210 000
16.0	25.0	16.7	24.0	4.0	32.0	377 211 000
19.0	30.1	19.9	29.0	4.8	38.0	377 212 900
22.2	35.1	23.4	33.5	5.6	40.5	377 213 000
25.4	40.0	26.4	38.0	6.4	48.0	377 214 000

All collars supplied with added lubrication.

Please note:



Flanged collar = grip range
reduces by dimension F



Standard collar =
see tables for grip range