



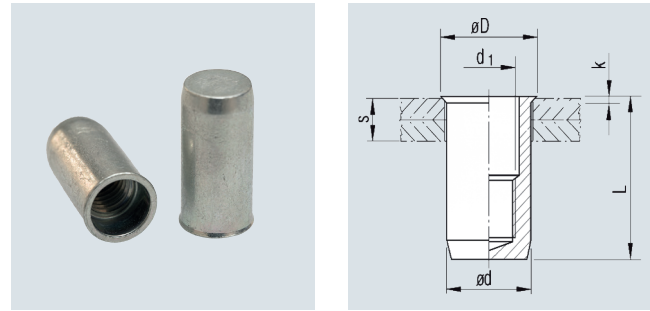
Tubtara® blind rivet nuts

Low profile head

Round shank, closed end
 - No need to countersink holes

Material

Steel Zinktop 480h



| Thread | Grip range | Hole \varnothing | Shank \varnothing | Head \varnothing | Head height | Shank length | Description | Article No. |
|-----------|-------------|--------------------|----------------------|---------------------|---------------------|-------------------------------|-------------|-------------|
| d1 | s | +0.1 | d -0.02 -0.15 | D -0.15 +0.3 | k -0.05 +0.3 | L \pm0.35 | | |
| 6H | [mm] | [mm] | [mm] | [mm] | [mm] | [mm] | | |
| M 4 | 0.5 - 3.0 | 6.0 | 6.0 | 6.5 | 0.5 | 15.0 | UKX30 | 335 242 950 |
| M 5 | 0.5 - 3.0 | 7.0 | 7.0 | 7.5 | 0.5 | 18.0 | UKX30 | 335 252 950 |
| M 6 | 0.5 - 3.0 | 9.0 | 9.0 | 9.5 | 0.5 | 21.5 | UKX30 | 335 276 950 |
| M 8 | 0.5 - 3.0 | 11.0 | 11.0 | 11.5 | 0.5 | 22.5 | UKX30 | 335 306 950 |
| M 10 | 0.8 - 3.5 | 12.5 | 12.4 ³ | 12.9 | 0.5 | 28.0 | UKX35 | 335 308 950 |

³ Shank \varnothing tolerance: \pm 0.08

Tubtara® blind rivet nuts

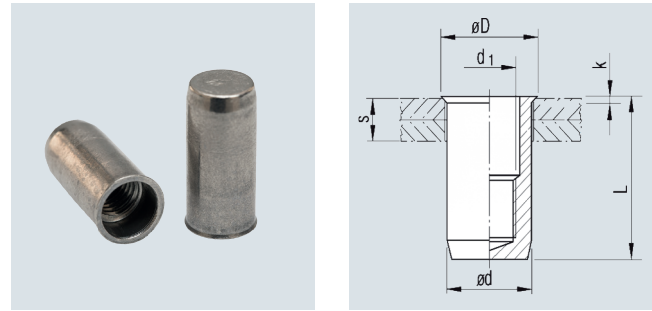


Low profile head

Round shank, closed end
- No need to countersink holes

Material

Stainless steel AISI 304 Cu 1.4567



| Thread | Grip range | Hole θ | Shank θ | Head θ | Head height | Shank length | Description | Article No. |
|--------|------------|---------------|------------------|------------------|------------------|--------------|-------------|-------------|
| d_1 | s | +0.1 | $d - 0.02/-0.15$ | $D - 0.15 + 0.3$ | $k - 0.05 + 0.3$ | $L \pm 0.35$ | | |
| 6H | [mm] | [mm] | [mm] | [mm] | [mm] | [mm] | | |
| M 4 | 0.5 - 2.0 | 6.0 | 6.0 | 6.5 | 0.5 | 15.5 | UKX20 | 334 373 000 |
| M 5 | 0.5 - 3.0 | 7.0 | 7.0 | 7.5 | 0.5 | 18.0 | UKX30 | 334 383 000 |
| M 6 | 0.5 - 3.0 | 9.0 | 9.0 | 9.5 | 0.5 | 21.5 | UKX30 | 334 393 000 |
| M 8 | 0.5 - 3.0 | 11.0 | 11.0 | 11.5 | 0.5 | 24.0 | UKX30 | 334 396 000 |



Tubtara® blind rivet nuts

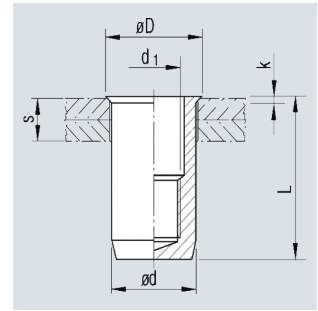
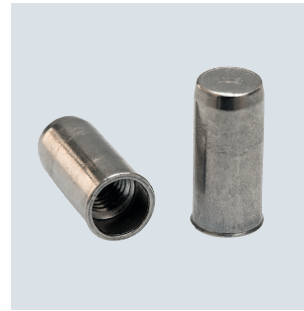
Low profile head

Round shank, closed end
 - No need to countersink holes

Material

Stainless steel AISI 316 Cu 1.4578

Exceptionally high corrosion resistance



| Thread | Grip range | Hole \varnothing | Shank \varnothing | Head \varnothing | Head height | Shank length | Description | Article No. |
|-----------|-------------|--------------------|----------------------|---------------------|---------------------|-------------------------------|-------------|-------------|
| d1 | s | +0.1 | d -0.02/-0.15 | D -0.15 +0.3 | k -0.05 +0.3 | L \pm0.35 | | |
| 6H | [mm] | [mm] | [mm] | [mm] | [mm] | [mm] | | |
| M 4 | 0.5 - 2.0 | 6.0 | 6.0 | 6.5 | 0.5 | 15.5 | UKX20 | 334 134 000 |
| M 5 | 0.5 - 3.0 | 7.0 | 7.0 | 7.5 | 0.5 | 18.0 | UKX30 | 334 254 000 |
| M 6 | 0.5 - 3.0 | 9.0 | 9.0 | 9.5 | 0.5 | 21.5 | UKX30 | 334 395 000 |
| M 8 | 0.5 - 3.0 | 11.0 | 11.0 | 11.5 | 0.5 | 24.0 | UKX30 | 334 845 000 |