

RIV-TI® blind rivet nuts

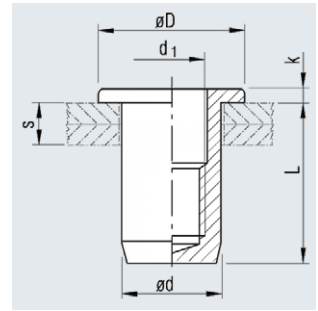


Round body

Flat head, closed end

Material

A2 stainless
steel 1.4567



Thread	Grip range s [mm]	Hole \varnothing +0.1 [mm]	Shank \varnothing d \pm 0.1 [mm]	Head \varnothing D 0/-0.5 [mm]	Head height k \pm 0.1 [mm]	Shank length L \pm 0.3 [mm]	Article No.
M 4	0.5-2.5	6.0	5.9	9.0	1.0	16.0	334 207 003
M 5	0.5-3.0	7.0	6.9	10.0	1.0	18.0	334 242 003
M 6	0.5-3.0	9.0	8.9	12.0	1.5	21.0	334 691 003
M 8	0.5-3.0	11.0	10.9	15.0	1.5	23.5	334 841 003
M 10	1.0-3.5	13.0	12.9	17.0	2.0	26.5	334 849 003

Other designs available on request.