



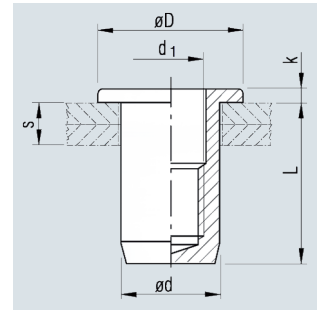
Tubtara® blind rivet nuts

Flat head

Round shank, closed end

Material

■
Aluminium



Thread	Grip range	Hole \varnothing	Shank \varnothing	Head \varnothing	Head height	Shank length	Description	Article No.
d1	s	+0.1	d -0.02 -0.15	D ± 0.35	k ± 0.15	L ± 0.35		
6H	[mm]	[mm]	[mm]	[mm]	[mm]	[mm]		
M 3	0.5 - 2.0	5.0	5.0	8.0	0.75	13.25	UPX20	336 432 000 ²
M 4	0.5 - 3.0	6.0	6.0	10.0	0.75	14.75	UPX30	336 433 000
	3.0 - 4.5	6.0	6.0	10.0	0.75	16.25	UPX45	336 434 000 ²
M 5	0.5 - 3.0	7.0	7.0	11.0	1.0	18.0	UPX30	336 532 000
	3.0 - 5.5	7.0	7.0	11.0	1.0	20.5	UPX55	336 534 000 ²
M 6	0.5 - 3.0	9.0	9.0	13.0	1.5	21.5	UPX30	336 611 000
	3.0 - 5.5	9.0	9.0	13.0	1.5	24.5	UPX55	336 613 000 ²
M 8	0.5 - 3.0	11.0	11.0	16.0	1.5	22.5	UPX30	336 751 000
	3.0 - 5.5	11.0	11.0	16.0	1.5	25.5	UPX55	336 753 000 ²

² Not a stock item - contact us for minimum quantities



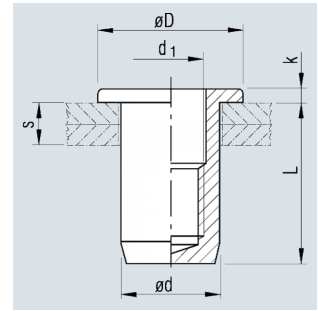
Tubtara® blind rivet nuts

Flat head

Round shank, closed end

Material

Steel, Zinktop 480h



Thread	Grip range	Hole \varnothing	Shank \varnothing	Head \varnothing	Head height	Shank length	Description	Article No.
d_1	s	$+0.1$	$d -0.02 -0.15$	$D \pm 0.35$	$k \pm 0.15$	$L \pm 0.35$		
6H	[mm]	[mm]	[mm]	[mm]	[mm]	[mm]		
M 4	0.5 - 3.0	6.0	6.0	10.0	0.75	14.75	UPX30	336 203 950
	3.0 - 4.5	6.0	6.0	10.0	0.75	16.25	UPX45	336 205 950 ²
M 5	0.5 - 3.0	7.0	7.0	11.0	1.0	18.0	UPX30	336 242 950
	3.0 - 5.5	7.0	7.0	11.0	1.0	20.5	UPX55	336 244 950
M 6	0.5 - 3.0	9.0	9.0	13.0	1.5	21.5	UPX30	336 691 950
	3.0 - 5.5	9.0	9.0	13.0	1.5	24.5	UPX55	336 693 950
	5.5 - 8.0	9.0	9.0	13.0	1.5	27.0	UPX80	336 694 950
M 8	0.5 - 3.0	11.0	11.0	16.0	1.5	22.5	UPX30	336 837 950
	3.0 - 5.5	11.0	11.0	16.0	1.5	25.5	UPX55	336 839 950
	5.5 - 8.0	11.0	11.0	16.0	1.5	28.0	UPX80	336 840 950
M 10	0.8 - 3.5	12.5	12.4 ³	18.5	2.25	28.5	UPX35	336 950 950
	3.5 - 6.0	12.5	12.4 ³	18.5	2.25	31.5	UPX60	336 951 950
M 12	3.0 - 7.0	16.0	16.0	23.0	2.0	38.0	UPX70	336 024 950

² Not a stock item - contact us for minimum quantities

³ Shank \varnothing tolerance: ± 0.08



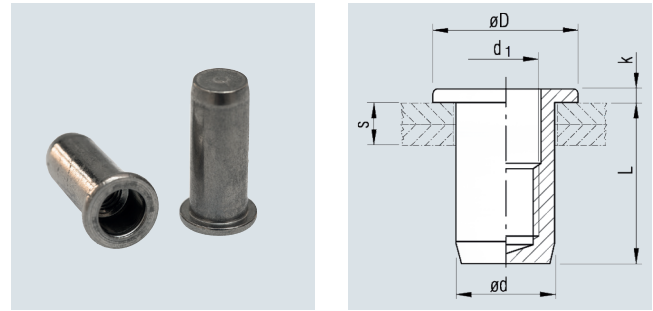
Tubtara® blind rivet nuts

Flat head

Round shank, closed end

Material

Stainless steel AISI 304 Cu 1.4567



Thread	Grip range	Hole ø	Shank ø	Head ø	Head height	Shank length	Description	Article No.
d1	s	+0.1	d -0.02 -0.15	D ±0.35	k ±0.15	L ±0.35		
6H	[mm]	[mm]	[mm]	[mm]	[mm]	[mm]		
M 4	0.5 - 2.0	6.0	6.0	9.0	1.0	15.0	UPX20	334 207 000
	2.0 - 3.5	6.0	6.0	9.0	1.0	16.5	UPX35	334 208 000
M 5	0.5 - 3.0	7.0	7.0	10.0	1.0	17.5	UPX30	334 242 000
	3.0 - 5.0	7.0	7.0	10.0	1.0	19.5	UPX50	334 244 000
M 6	0.5 - 3.0	9.0	9.0	12.0	1.5	21.5	UPX30	334 691 000
	3.0 - 5.0	9.0	9.0	12.0	1.5	23.5	UPX50	334 694 000
M 8	0.5 - 3.0	11.0	11.0	15.0	1.5	23.5	UPX30	334 841 000
	3.0 - 5.5	11.0	11.0	15.0	1.5	26.0	UPX55	334 848 000
M 10	0.8 - 3.5	13.0	13.0	17.0	1.5	28.5 ⁴	SPX35	334 849 000
	3.5 - 6.0	13.0	13.0	17.0	1.5	31.0 ⁴	SPX60	334 850 000
M12	3.0 - 7.0	16.0	16.0	23.0	2.0	38.5	UPX70	334 852 000

⁴ Shank length (L) tolerance: ±0.5



Tubtara® blind rivet nuts

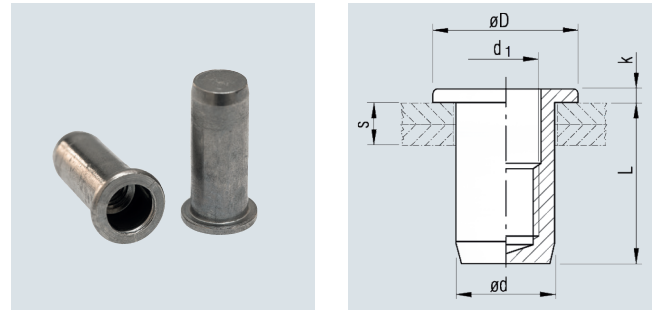
Flat head

Round shank, closed end

Material

Stainless steel AISI 316 Cu 1.4578

Exceptionally high corrosion resistance



Thread	Grip range	Hole \varnothing	Shank \varnothing	Head \varnothing	Head height	Shank length	Description	Article No.
d1	s	+0.1	d -0.02 -0.15	D ± 0.35	k ± 0.15	L ± 0.35		
6H	[mm]	[mm]	[mm]	[mm]	[mm]	[mm]		
M 4	0.5 - 2.0	6.0	6.0	9.0	1.0	15.0	UPX20	334 415 000
	2.0 - 3.5	6.0	6.0	9.0	1.0	16.5	UPX35	334 416 000
M 5	0.5 - 3.0	7.0	7.0	10.0	1.0	17.5	UPX30	334 445 000
	3.0 - 5.0	7.0	7.0	10.0	1.0	19.5	UPX50	334 449 000
M 6	0.5 - 3.0	9.0	9.0	12.0	1.5	21.5	UPX30	334 698 000
	3.0 - 5.0	9.0	9.0	12.0	1.5	23.5	UPX50	334 699 000
M 8	0.5 - 3.0	11.0	11.0	15.0	1.5	23.5	UPX30	334 843 000
	3.0 - 5.5	11.0	11.0	15.0	1.5	26.0	UPX55	334 847 000
M 10	0.8 - 3.5	13.0	13.0	17.0	1.5	28.5 ⁴	SPX35	334 876 000
	3.5 - 6.0	13.0	13.0	17.0	1.5	31.0 ⁴	SPX60	334 877 000

⁴ Shank length (L) tolerance: ± 0.5