



Tubtara® blind rivet nuts

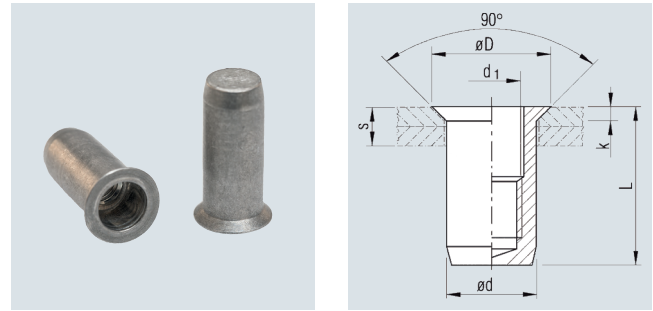
Countersunk head 90°

Round shank, closed end

Material



Aluminium



Thread	Grip range	Hole ø	Shank ø	Head ø	Head height	Shank length	Description	Article No.
d1	s	+0.1	d -0.02 -0.15	D 0 -0.5	k +0.3	L ±0.35		
6H	[mm]	[mm]	[mm]	[mm]	[mm]	[mm]		
M 4	1.7 - 3.5	6.0	6.0	9.0	1.5	15.5	UFX35	336 441 000
	3.5 - 5.0	6.0	6.0	9.0	1.5	17.0	UFX50	336 445 000 ²
M 5	1.7 - 4.0	7.0	7.0	10.0	1.5	18.0	UFX40	336 541 000
	4.0 - 6.5	7.0	7.0	10.0	1.5	20.5	UFX65	336 543 000 ²
M 6	1.7 - 4.5	9.0	9.0	12.0	1.5	22.0	UFX45	336 621 000
	4.5 - 6.5	9.0	9.0	12.0	1.5	24.0	UFX65	336 622 000 ²
M 8	1.7 - 4.5	11.0	11.0	14.0	1.5	25.0	UFX45	336 761 000 ²
	4.5 - 6.5	11.0	11.0	14.0	1.5	28.0	UFX65	336 762 000 ²

² Not a stock item - contact us for minimum quantities

³ Shank Ø tolerance: ±0.08



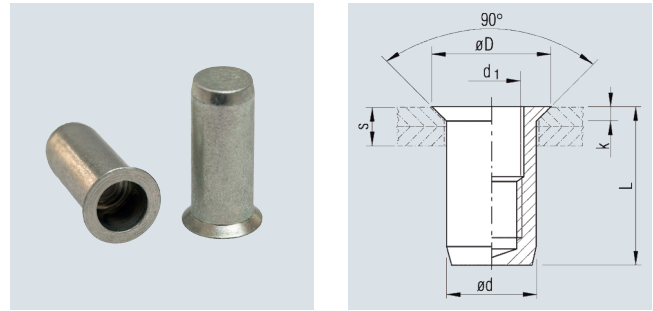
Tubtara® blind rivet nuts

Countersunk head 90°

Round shank, closed end

Material

Steel, Zinktop 480h



Thread	Grip range	Hole ø	Shank ø	Head ø	Head height	Shank length	Description	Article No.
d1	s	+0.1	d -0.02 -0.15	D 0 -0.5	k +0.3	L ±0.35		
6H	[mm]	[mm]	[mm]	[mm]	[mm]	[mm]		
M 4	1.7 - 3.5	6.0	6.0	9.0	1.5	15.5	UFX35	336 211 950
	3.5 - 5.0	6.0	6.0	9.0	1.5	17.0	UFX50	336 215 950 ²
M 5	1.7 - 4.0	7.0	7.0	10.0	1.5	18.0	UFX40	336 251 950
	4.0 - 6.5	7.0	7.0	10.0	1.5	20.5	UFX65	336 253 950 ²
M 6	1.7 - 4.5	9.0	9.0	12.0	1.5	22.0	UFX45	336 701 950
	4.5 - 6.5	9.0	9.0	12.0	1.5	24.0	UFX65	336 702 950 ²
M 8	1.7 - 4.5	11.0	11.0	14.0	1.5	25.0	UFX45	336 847 950
	4.5 - 6.5	11.0	11.0	14.0	1.5	28.0	UFX65	336 848 950 ²
M 10	1.7 - 4.5	12.5	12.4**	15.4	1.5	29.5	UFX45	336 992 950

² Not a stock item - contact us for minimum quantities

³ Shank ø tolerance: ±0.08



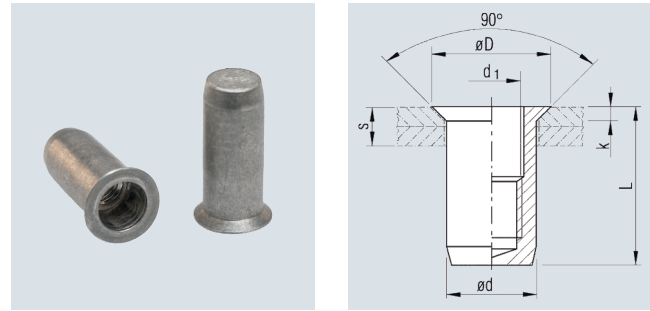
Tubtara® blind rivet nuts

Countersunk head 90°

Round shank, closed end

Material

Stainless steel AISI 304 Cu 1.4567



Thread	Grip range	Hole ø	Shank ø	Head ø	Head height	Shank length	Description	Article No.
d1	s	+0.1	d -0.02 -0.15	D 0 -0.5	k 0 +0.3	L ±0.35		
6H	[mm]	[mm]	[mm]	[mm]	[mm]	[mm]		
M 4	1.2 - 3.0	6.0	6.0	8.0	1.0	16.0	UFX30	334 235 000
M 5	1.2 - 3.5	7.0	7.0	9.0	1.0	18.0	UFX35	334 730 000
M 6	1.7 - 4.5	9.0	9.0	12.0	1.5	24.0	UFX45	334 731 000
	4.5 - 6.5	9.0	9.0	12.0	1.5	26.0	UFX65	334 729 000
M 8	1.7 - 4.5	11.0	11.0	14.0	1.5	25.0	UFX45	334 868 000
	4.5 - 6.5	11.0	11.0	14.0	1.5	27.0	UFX65	334 866 000
M10	1.7 - 4.5	13.0	13.0	16.0	1.5	30.5 ⁴	SFX 45	334 867 000
M12	2.0 - 5.5	16.0	16.0	19.0	1.8	37.0	UFX55	334 869 000

⁴ Shank length (L) tolerance: ±0.5



Tubtara® blind rivet nuts

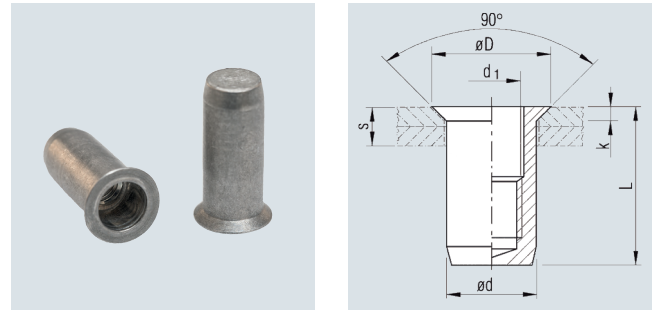
Countersunk head 90°

Round shank, closed end

Material

Stainless steel AISI 316 Cu 1.4578

Exceptionally high corrosion resistance



Thread	Grip range	Hole ø	Shank ø	Head ø	Head height	Shank length	Description	Article No.
d1	s	+0.1	d -0.02 -0.15	D 0 -0.5	k +0.3	L ±0.35		
6H	[mm]	[mm]	[mm]	[mm]	[mm]	[mm]		
M 4	1.2 - 3.0	6.0	6.0	8.0	1.0	16.0	UFX30	334 227 000
M 5	1.2 - 3.5	7.0	7.0	9.0	1.0	18.0	UFX35	334 228 000
M 6	1.7 - 4.5	9.0	9.0	12.0	1.5	24.0	UFX45	334 229 000
M 8	1.7 - 4.5	11.0	11.0	14.0	1.5	25.0	UFX45	334 230 000
M 10	1.7 - 4.5	13.0	13.0	16.0	1.5	30.5 ⁴	SFX45	334 231 000

⁴ Shank length (L) tolerance: ±0.5